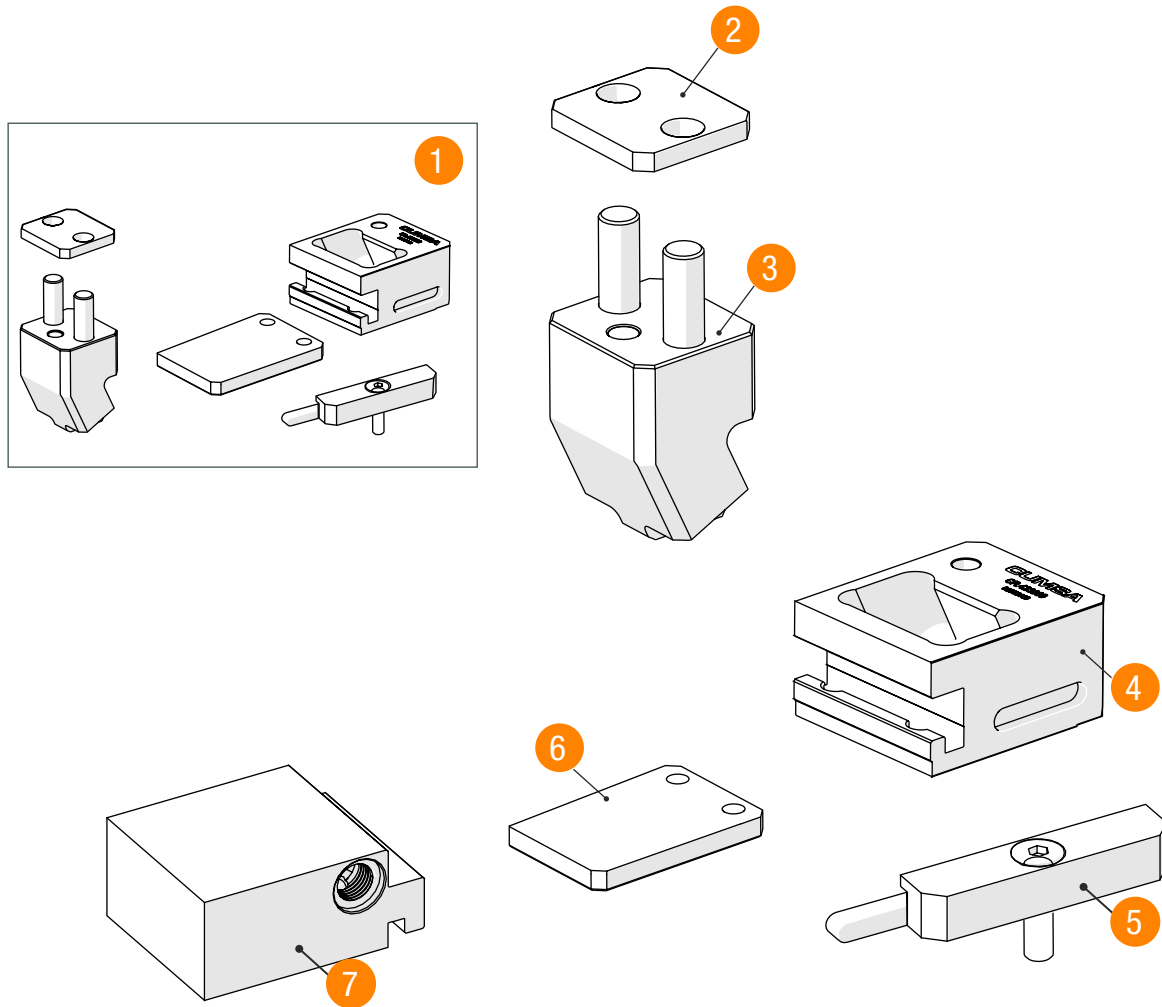


CUMSA

INNOVATIVE SOLUTIONS
FOR YOUR MOLDS



SPARE PART LIST: COOLED COMPACT SLIDE - CR

ID	Description	CR.424509	CR.424517	CR.525011	CR.525019	CR.625514	CR.625522
1	Slide Unit w/o Insert	9CR424509-SET01	9CR424517-SET01	9CR525011-SET01	9CR525019-SET01	9CR625514-SET01	9CR625522-SET01
2	Wear Plate	9CS423009-E		9CS523511-E		9CS624014-E	
3	Heel Unit	9CS423009-CC	9CS423017-CC	9CS523511-CC	9CS523519-CC	9CS624014-CC	9CS624022-CC
4	Slide Unit	9CS423009-AC		9CS523511-AC		9CS624014-AC	
5	Support	9CR000000-FC					
6	Base	9CS423009-DC	9CS423017-DC	9CS523511-DC	9CS523519-DC	9CS624014-DC	9CS624022-DC
7	Insert	9CR424509-B		9CR525011-B		9CR625514-B	