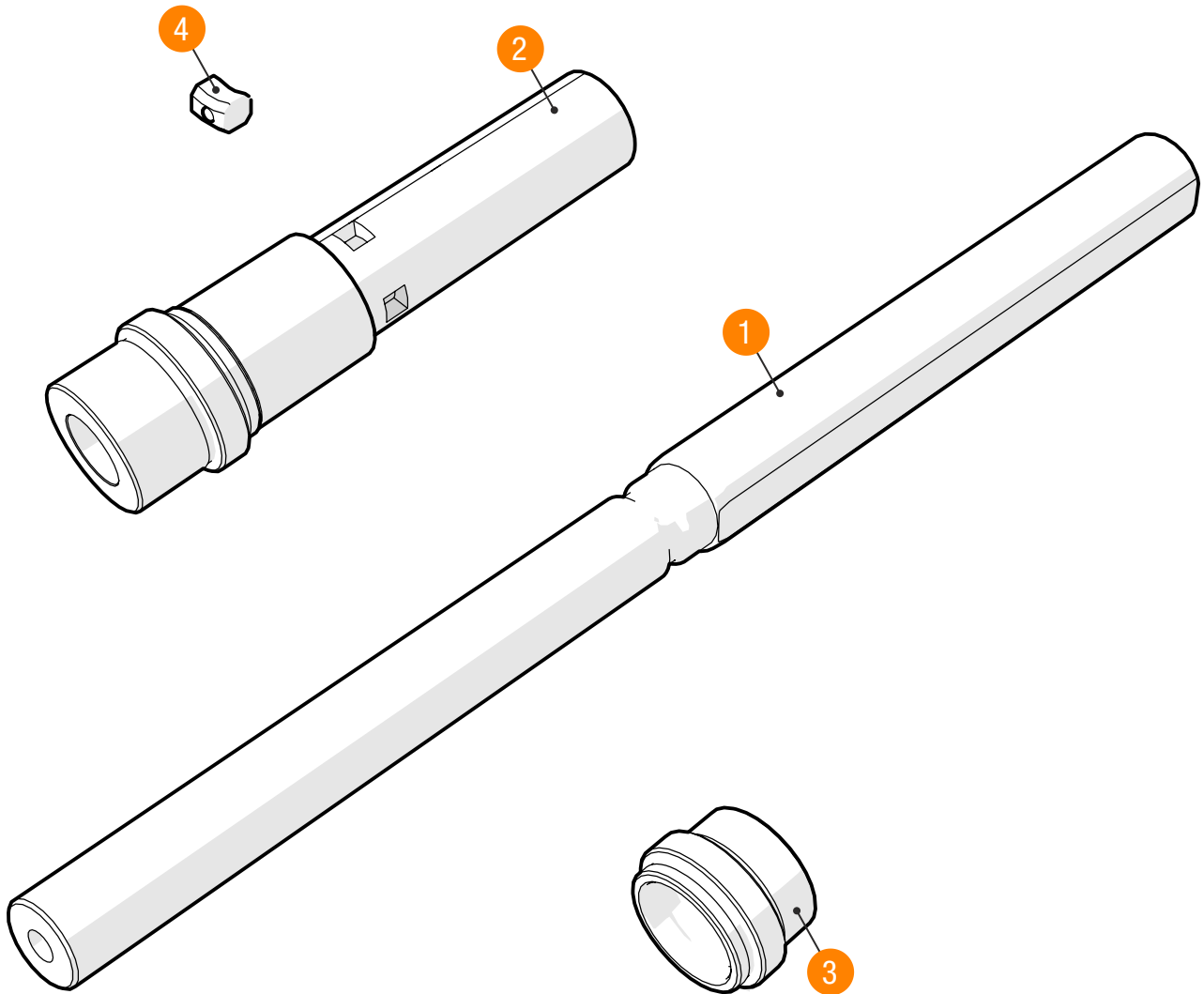


# CUMSA

INNOVATIVE SOLUTIONS  
FOR YOUR MOLDS



## SPARE PART LIST: SUPERIOR DOUBLE EJECTOR - DX

ID	Description	DX.142622	DX.163027
1	Shaft	9DX142622-E	9DX163027-E
2	Lower Bushing	9DX142622-CI	9DX163027-CI
3	Plate Bushing	9DX142622-CP	9DX163027-CP
4	Cam Finger (x4)*	9DX142622-S	9DX163027-S

\*Supplied individually