

DOUBLE RACK LIFTER

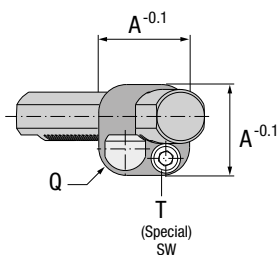
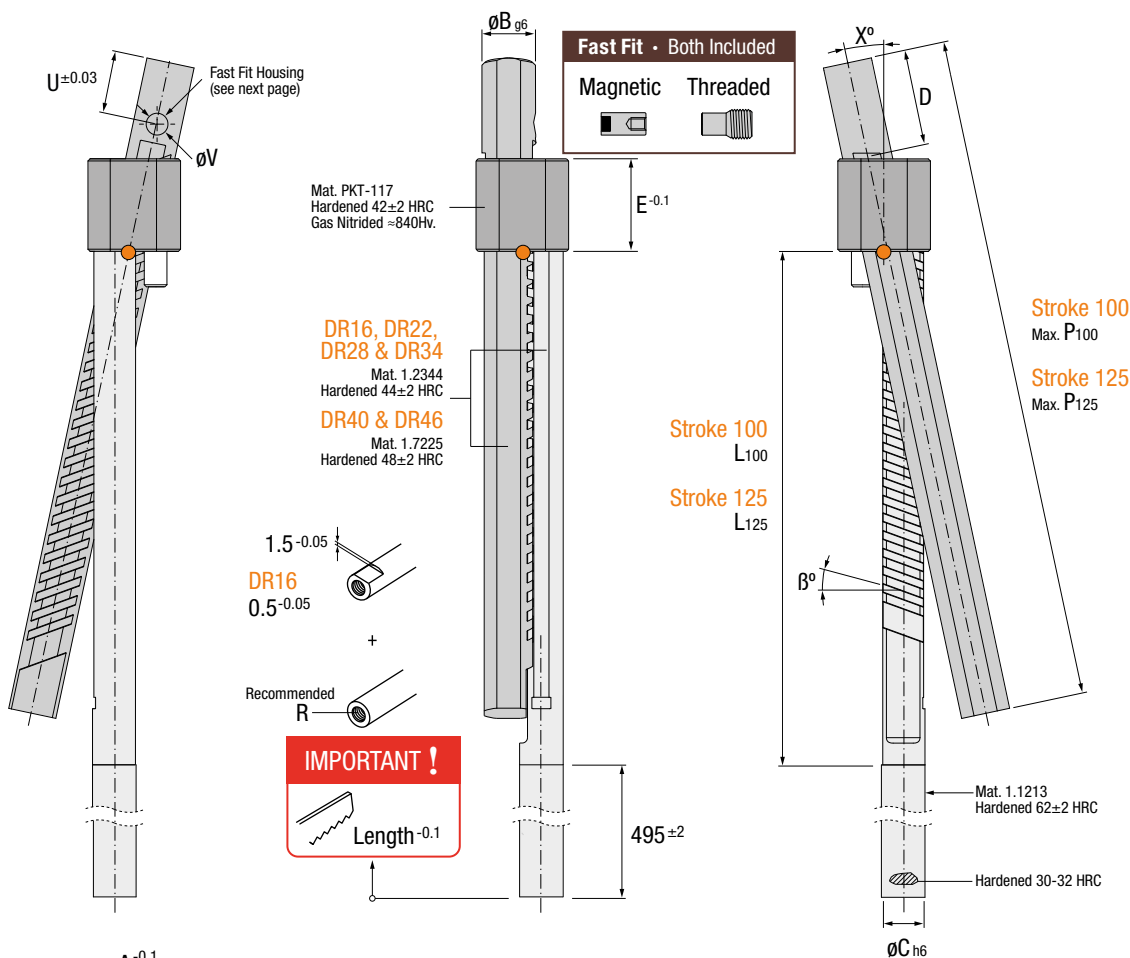
ES Doble Cremallera DE Zweifach Zahnstangen-System
IT Doppia Cremagliera PT Duplo Rack FR Double Cremailere

● Cad Insertion Point

DR

Patented

Max. 150°C



IMPORTANT !
Mirror Part.
Pieza Simétrica.
Symmetrisches Teil.
Versione a Specchio.
Peça em Espelho.
Pièce en Miroir.

Stroke 100	Stroke 125	X°	A	B	C	D	E	L100	P100	L125	P125	Q	R	T	U	V	Stroke 100-S	Stroke 125-S	SWa	
DR.16100L-x	-	8 12 16	-	16	9	8	20	142	178	-	-	4	M5	M5	10	6	DR.16100L-x-S	-	3	
DR.22100L-x	DR.22125L-x	8 12 16		22	12	12	30	22	148	202	202	261	6.5	M6	M6	17	8	DR.22100L-x-S	DR.22125L-x-S	4
DR.28100L-x	DR.28125L-x	8 12 16	20	28	16	14	36	28	152.5	214	194.5	266	8.5	M8	M8	23	8	DR.28100L-x-S	DR.28125L-x-S	5
DR.34100L-x	DR.34125L-x	8 12 16	20	34	20	16	36	34	160.5	227	188.5	264	10.5	M8	M8	23	8	DR.34100L-x-S	DR.34125L-x-S	5
DR.40100L-x	DR.40125L-x	8 12 16	20	40	22	20	36	40	170	244	204	284	10.5	M10	M10	20	10	DR.40100L-x-S	DR.40125L-x-S	6
DR.46100L-x	DR.46125L-x	8 12 16	20	46	24	24	42	46	175	258	201	289	10.5	M10	M12	26	10	DR.46100L-x-S	DR.46125L-x-S	8

! HOW TO ORDER

Check page 48-49 for Min / Max β values

β° < 0 & β° = 0 β° > 0

A Stroke X° β A Stroke X° β

DR 28 100L - 12 -10 Standard DR 28 100L - 12 +10

DR 28 100L - 12 -S -10 Symmetrical DR 28 100L - 12 -S +10

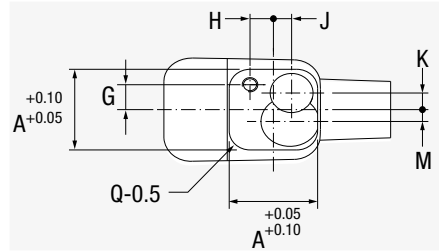
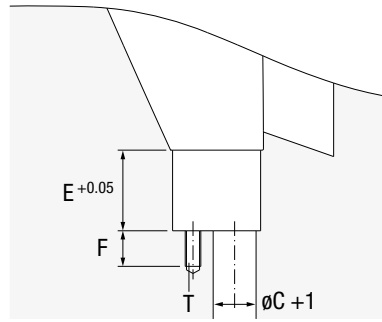
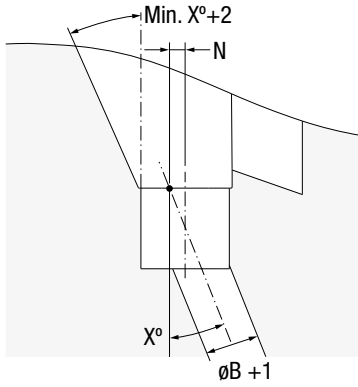
A Stroke X° β A Stroke X° β

INSTALLATION GUIDELINES

ES Consejos de Instalación DE Richtlinien zur Installation
 IT Consigli di Installazione PT Instruções de Instalação FR Mode d'Installation

DR

Core Housing
 Alojamiento Placa Punzón
 Kerngehäuse
 Sede nel Punzone
 Alojamento Bucha
 Logement dans l'empreinte



Patented

Max. 150°C

Stroke 100	Stroke 125	Stroke 200	F	FR1	FR2	G	H	J	K	M	N	S	T	W	Y	Z	SWb
DR.16100L..	-	-	10	4.9	M8x1	4.6	4.6	3	2.35	3	2.8	2.5	M5	6	9	M4	4
DR.22100L..	DR.22125L.. / KR.22125L..	-	13	5.3	M10x1	5.6	5.6	4.2	3.7	4.2	3.5	2.5	M6	8	12	M4	5
DR.28100L..	DR.28125L.. / KR.28125L..	-	16	5.3	M10x1	7.5	7.5	5	5.4	4.8	4.8	2.5	M8	8	13.5	M4	5
DR.34100L..	DR.34125L.. / KR.34125L..	-	16	5.3	M10x1	10.5	8	7	7	5	6	4	M8	8	16	M4	5
DR.40100L..	DR.40125L.. / KR.40125L..	-	20	8.5	M12x1	11	11	7	8	7	7	4	M10	10	20	M6	6
DR.46100L..	DR.46125L.. / KR.46125L..	-	25	8.5	M12x1	13	13	8	8	9	9	5	M12	10	24	M6	6
-	-	KR.58200L..	28	8.5	M16x1.5	15.5	15.5	10	12.2	11.2	10	5	M14	12	30	M6	8
-	-	KR.76200L..	36	14	M16x1.5	21	21	13	15.2	15.2	12	6	M18	12	36	M6	8

Installation

Instalación · Montage · Montaggio · Instalação · Montage

