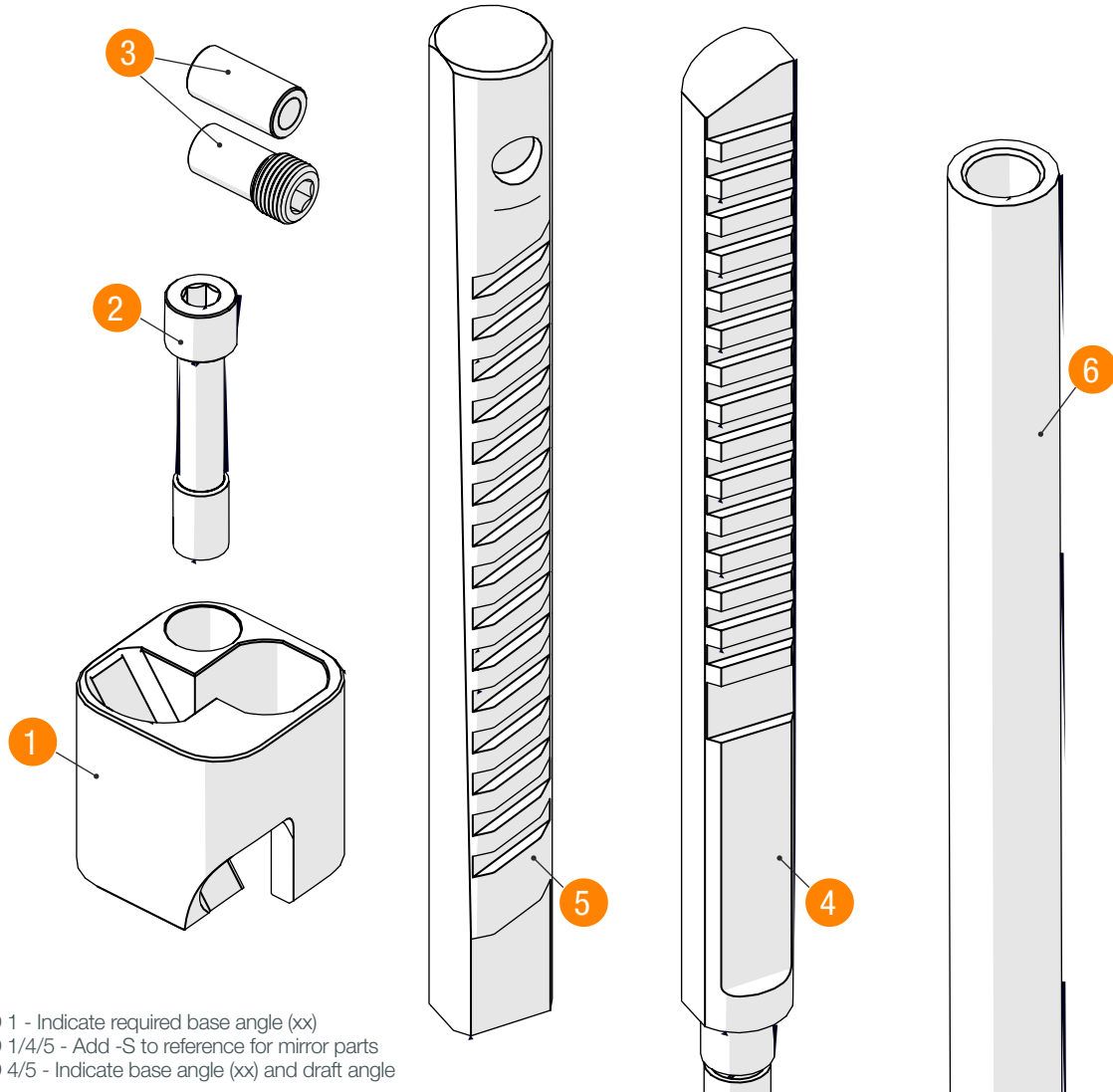


# CUMSA

INNOVATIVE SOLUTIONS  
FOR YOUR MOLDS



ID 1 - Indicate required base angle (xx)  
ID 1/4/5 - Add -S to reference for mirror parts  
ID 4/5 - Indicate base angle (xx) and draft angle

## SPARE PART LIST: DOUBLE RACK COMPONENTS - XR

ID	Description	"XR34100L-xx xx: 24°, 28°, 32°, 36°"	"XR40100L-xx xx: 24°, 28°, 32°, 36°"	"XR46100L-xx xx: 24°, 28°, 32°, 36°"
1	XR Base Unit	9XR34xx20-BASE	9XR40xx22-BASE	9XR46xx24-BASE
2	Base Unit Screw	9DR3408-TOR	9DR4010-TOR	9DR4612-TOR
3	Fast Fit	9DR3408FF	9DR4010FF	9DR4610FF
4	Angled Shaft	9XR34100L-EV	9XR40100L-EV	9XR46100L-EV
5	Vertical Shaft	9XR34100L-EI	9XR40100L-EI	9XR46100L-EI
6	Extension	9DR34-AL	9DR40-AL	9DR46-AL