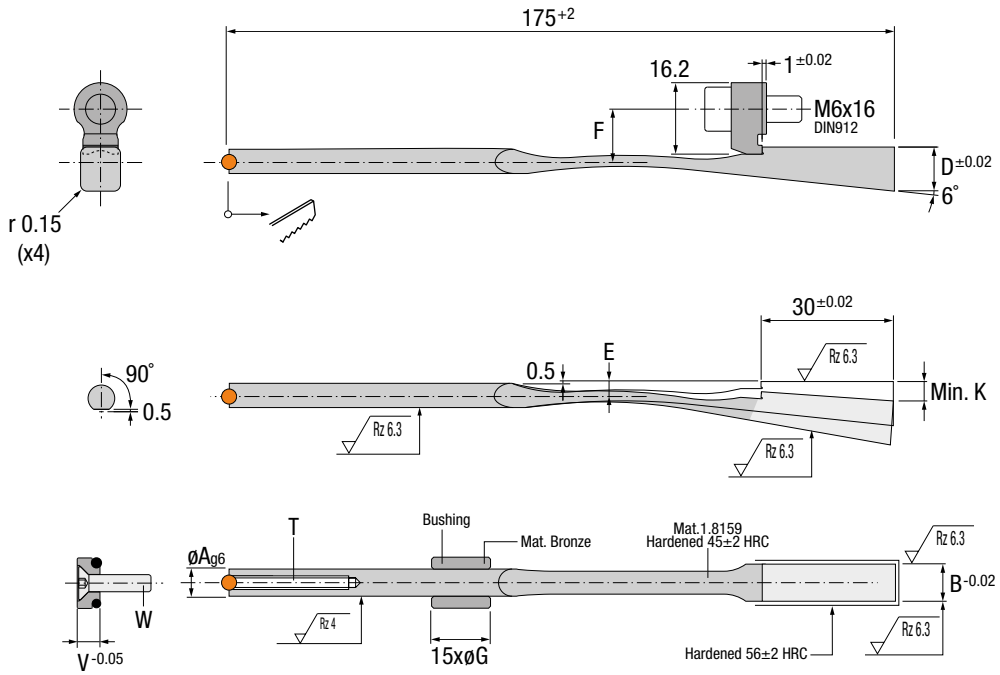


● Cad Insertion Point

PZ

Patented

Max. 150°C



Ref.	A	B	D	E	F	G	K	T	U	V	W
PZ.060630	6	6.2	10	3.5	12.5	12	4.5	M4x60	12	5	M4x16 (DIN7991)
PZ.060830	6	8.2	10	3.5	12.5	12	4.5	M4x60	12	5	M4x16 (DIN7991)
PZ.081030	8	10.2	11.2	4.5	13.5	12	4.5	M5x60	14	6	M5x16 (DIN7984)
PZ.081230	8	12.2	11.2	4.5	13.5	12	4.5	M5x60	14	6	M5x16 (DIN7984)
PZ.101430	10	14.2	13.6	5.5	14.5	16	5.5	M6x60	18	8	M6x16 (DIN7984)
PZ.101830	10	18.2	13.6	5.5	14.5	16	5.5	M6x60	18	8	M6x16 (DIN7984)

Installation Guidelines

Consejos de Instalación · Richtlinien zur Installation · Consigli di Installazione · Instruções de Instalação · Mode d'Installation

