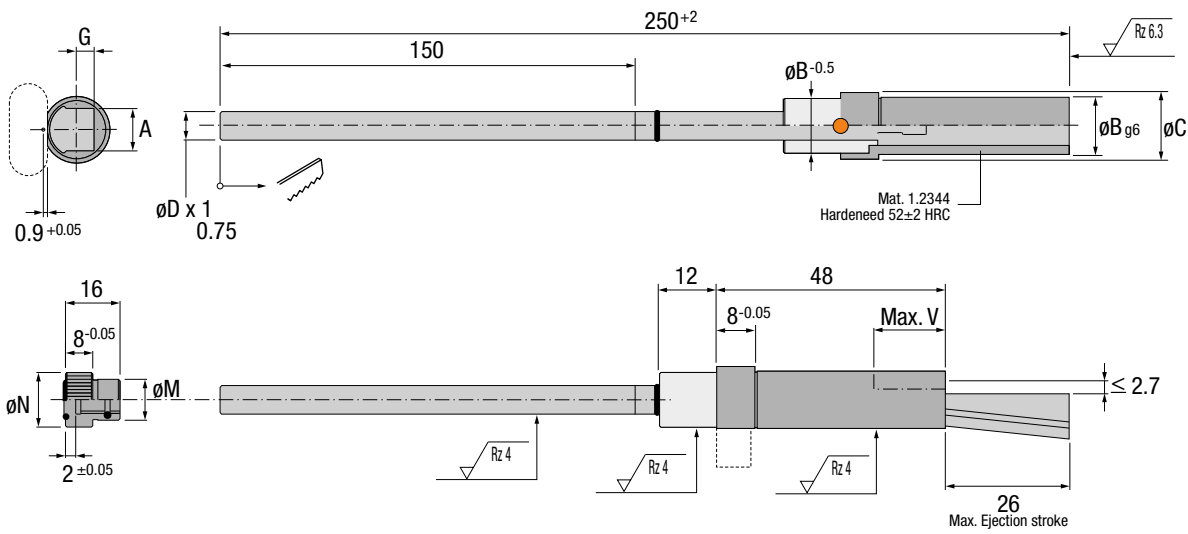


STANDARD LIFTER

ES Patin Standard DE Schrägschieber
IT Pattino Standard PT Patim Standard FR Patin Standard

● Cad Insertion Point



Ref.	A	B	C	D	G	M	N	V
PS.062250	6.2	10	12	6	3.4	12	16	8
PS.082250	8.2	12	14	6	4	12	16	15
PS.102250	10.2	14	16	8	4.2	14	18	15
PS.122250	12.2	16	18	8	4.2	14	18	20

PS

Patented

Max. 150°C



Installation Guidelines

Consejos de Instalación · Richtlinien zur Installation · Consigli di Installazione · Instruções de Instalação · Mode d'Installation

