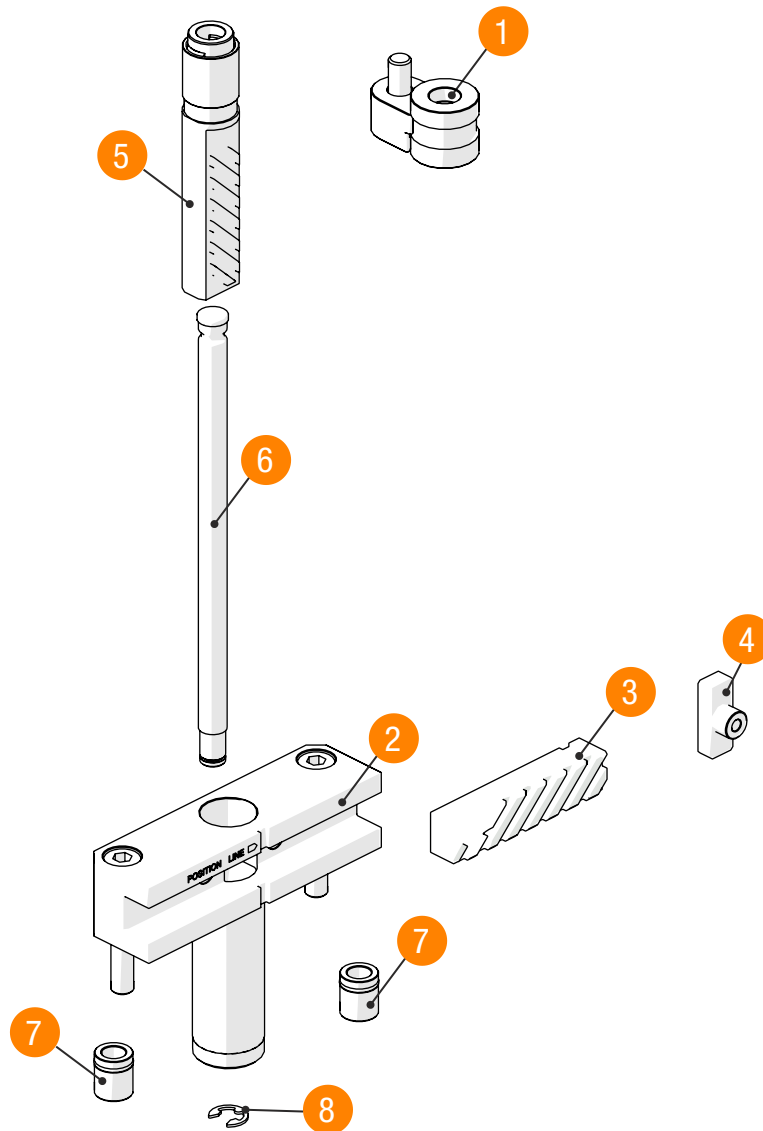


CUMSA

INNOVATIVE SOLUTIONS
FOR YOUR MOLDS



ID 3/5- Add -S to reference for mirror parts

LONG STROKE FOR SLIDES - LS

ID	Description	LS20050L	LS20075L	LS20100L	LS30050L	LS30075L	LS30100L
1	Bushing	9LS20050L-AC			9LS30050L-AC		
2	Base Assembly	9LS20050L-BC1	9LS20075L-BC1	9LS20100L-BC1	9LS30050L-BC1	9LS30075L-BC1	9LS30100L-BC1
3	Horizontal Shaft	9LS20050L-C1	9LS20075L-C1	9LS20100L-C1	9LS30050L-C1	9LS30075L-C1	9LS30100L-C1
4	Adjustable Slide Drag	9LS20050L-C2			9LS30050L-C2		
5	Vertical Shaft Assembly	9LS20050L-BC2	9LS20075L-BC2	9LS20100L-BC2	9LS30050L-BC2	9LS30075L-BC2	9LS30100L-BC2
6	Internal Rod	9LS20050L-B3	9LS20075L-B3	9LS20100L-B3	9LS30050L-B3	9LS30075L-B3	9LS30100L-B3
7	ZBS Bushing	ZBS025			ZBS050		
8	Circlip	1DIN67997			1DIN679912		

*Supplied individually