

# VACUUMJET VALVE

ES Válvula Vacuumjet DE Vacuumjet Ventil  
IT Valvola Vacuumjet PT Válvula Vacuumjet FR Soupape Vacuumjet

● Cad Insertion Point

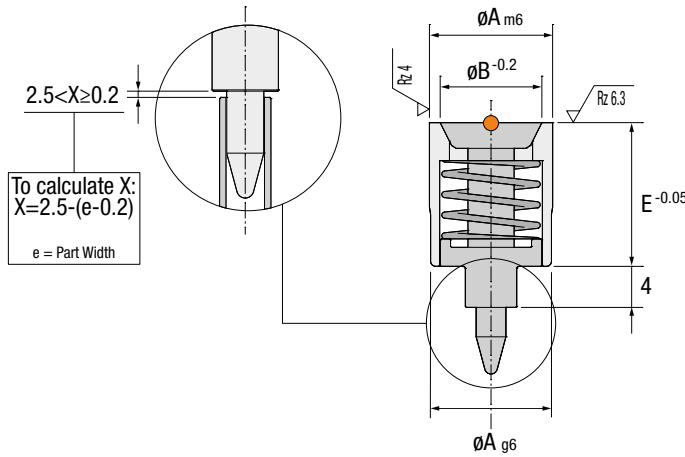
# VV



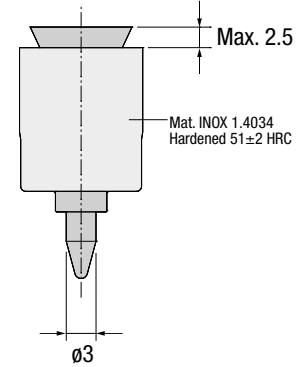
Patented

Max. 150°C

## Closed Position



## Open Position

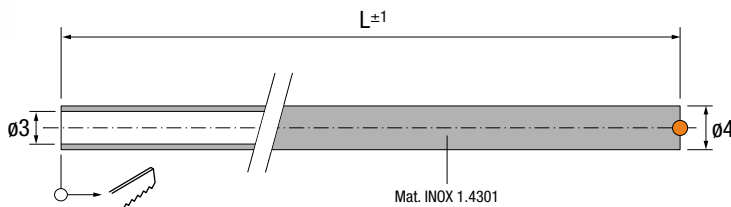


Ref.	A	B	C	D	E
VV.086414	8	6.7	10	6.5	14
VV.121014	12	9.8	10	10	14
VV.161416	16	14	10	10	16

# VACUUMJET VALVE TUBE

ES Tubo Válvula Vacuumjet DE Vacuumjet Ventilrohr  
IT Tubo Valvola Vacuumje PT Tubo Válvula Vacuumjet FR Tube soupape Vacuumjet

# VT



Ref.	L
VT.043209	209
VT.043500	500

## Installation Guidelines

Consejos de Instalación · Richtlinien zur Installation · Consigli di Installazione · Instruções de Instalação · Mode d'Installation

Patented

Max. 150°C

