


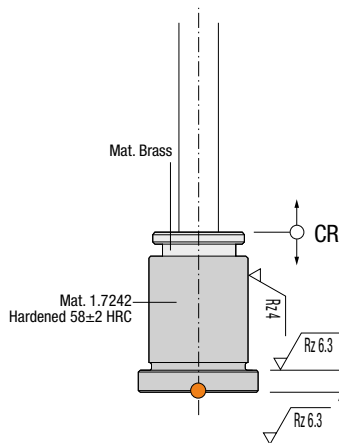
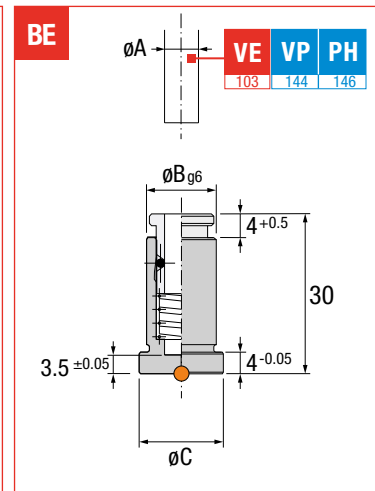
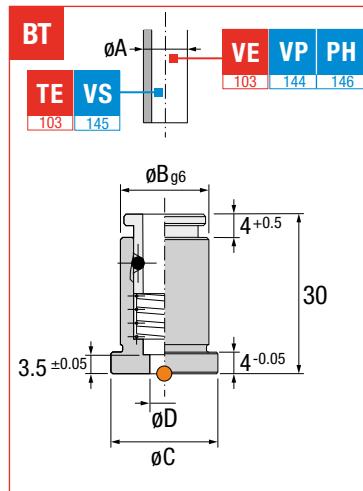
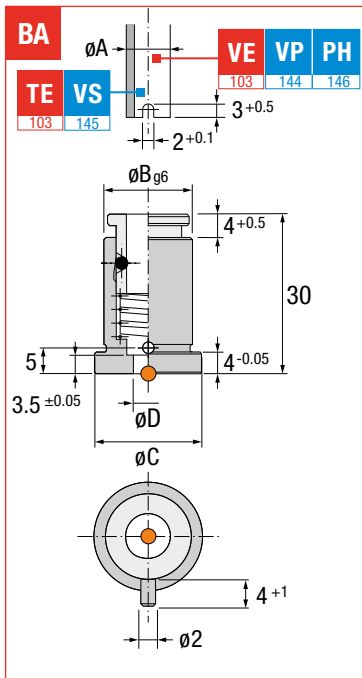
EJECTOR BASE

ES Base Expulsora DE Aufnahme für Auswerfer
IT Base Espulsore PT Base de Extractores FR Embases d'Éjection

● Cad Insertion Point

BA-BE-BT

Patented
 Max. 150°C



Ref.	A	B	C	D	CR (N)
BA.061418	6	14	18	3.5	≥ 3.800
BA.081620	8	16	20	5.5	≥ 4.700
BA.101822	10	18	22	7	≥ 6.400
BA.122024	12	20	24	9	≥ 7.600

Ref.	A	B	C	D	CR (N)
BT.061418	6	14	18	4.2	≥ 3.800
BT.081620	8	16	20	6.2	≥ 4.700
BT.101822	10	18	22	7	≥ 6.400
BT.122024	12	20	24	9	≥ 7.600

Ref.	A	B	C	CR (N)
BE.031115	3	11	15	≥ 1.800
BE.041216	4	12	16	≥ 1.800
BE.051317	5	13	17	≥ 2.800

Installation Guidelines

Consejos de Instalación · Richtlinien zur Installation · Consigli di Installazione · Instruções de Instalação · Mode d'Installation

