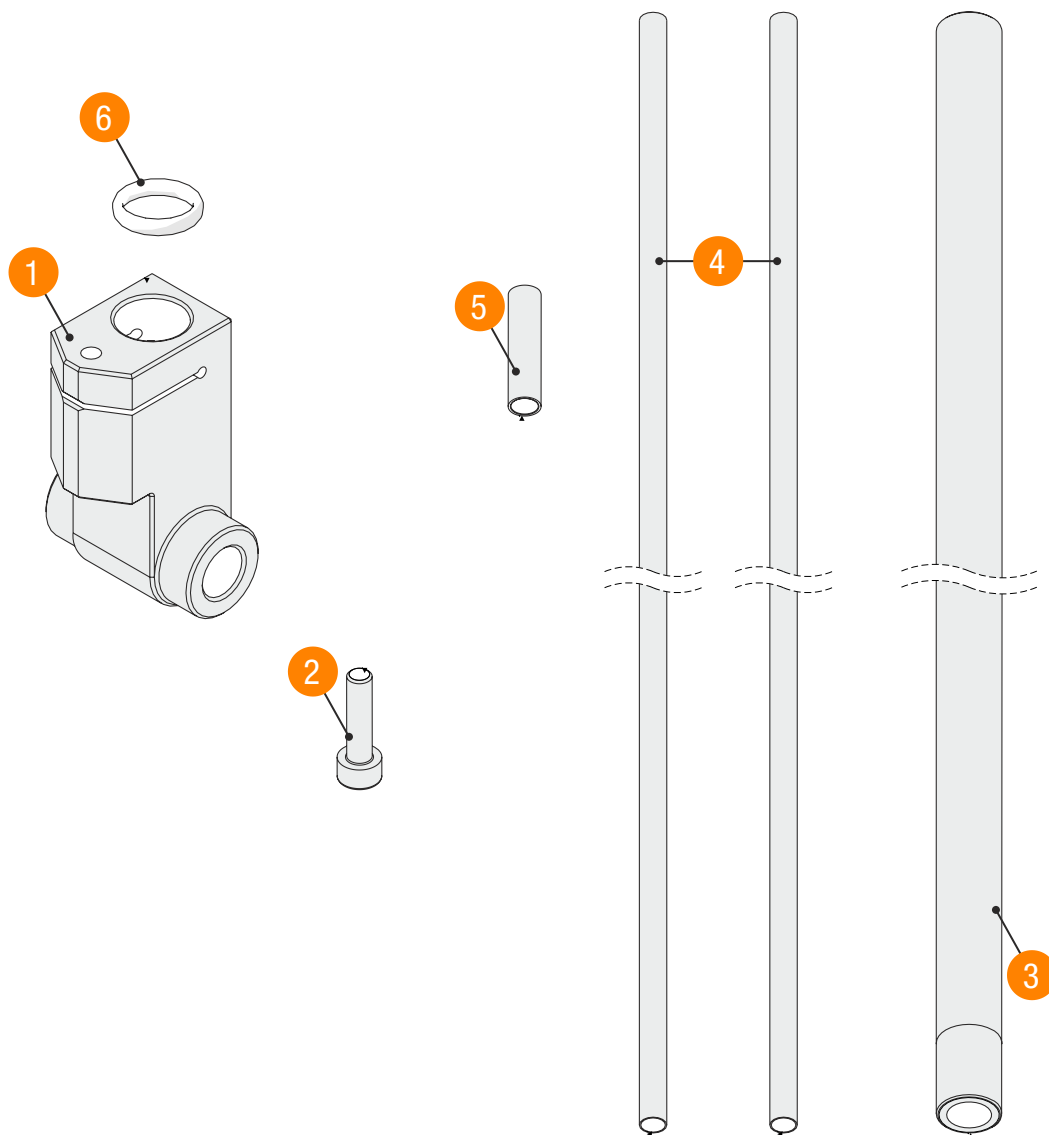


CUMSA

INNOVATIVE SOLUTIONS
FOR YOUR MOLDS



SPARE PART LIST: KR COOLING HOSE - FC

ID	Description	FC.220500	FC.280500	FC.340500	FC. 400500
1	Base Unit	9FC220300-BASE	9FC280400-BASE	9FC340400-BASE	9FC400500-BASE
2	Fixing Screw	1DIN912410	1DIN912416		
3	KR Connection Tube	9FC220500-TE	9FC280500-TE	9FC340500-TE	9FC400500-TE
4	Moulding Insert Tube (x2)*	9FC220300-TI	9FC280400-TI	9FC340400-TI	9FC400500-TI
5	Extender	9FC220300-M	9FC280400-M	9FC340400-M	9FC400500-M
6	O'ring	3JT7X2-VIT	3JT9X2-VIT	3JT11x2.5-VIT	3JT13x2.5-VIT

*Supplied individually