

# GREAT ADVANTAGES



## MUCH FASTER INSTALLATION

This part only requires one screw on the ejection side and two screws on the injection side, which simplifies installation and makes the maintenance process faster.



## INDIVIDUAL MOLDING INSERT

The molding insert is easily disassembled for the customer to machine.



## COOLING CAPABILITIES

Available with pre-drilled starter holes to easily customize the cooling channels.



## APPROPRIATE FOR CLEANROOM

Thanks to the Turcite® wear plate, it eliminates the need for lubrication, making it suitable for many applications, including cleanroom molds. Turcite® also helps friction wear and tear so extends materials lifetime.



## SMALL SPACE REQUIRED

Very compact product enables its use in small places.



## OVERALL SAVINGS

Forget about complicated and tight slide housings, the only precision machining required is on the customizable insert area. Since there are no angle pins, lateral sliding guides or external retainers, the overall cost reduction is up to 50% less than other slides on the market.

# CUMSA

[www.cumsa.com](http://www.cumsa.com)

Ed. 2024 - 03

Isaac Peral, 21  
08960 · Sant Just Desvern  
Barcelona · Spain  
Tel: +34 93 473 25 52  
Fax: +34 93 473 49 19  
e-mail: [info@cumsa.com](mailto:info@cumsa.com)



The future  
**IS HERE**



**CUMSA**  
—USA—

Tel.: +1 248 850 8385  
e-mail: [info@cumsausa.com](mailto:info@cumsausa.com)

**EURO**  
**CUMSA**

Tel.: +351 244 770 420  
e-mail: [geral@eurocumsa.pt](mailto:geral@eurocumsa.pt)

**CUMSA**  
—ITALIA—

Tel.: +39 (0) 362 170 8735  
e-mail: [cumsaitalia@cumsa.com](mailto:cumsaitalia@cumsa.com)

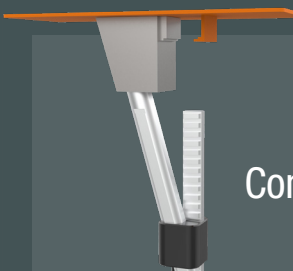
**CUMSA**  
—坤盛 中国—

Tel.: +86 755 2998 5783  
e-mail: [cumsachina@cumsa.com](mailto:cumsachina@cumsa.com)

**CUMSA**  
—DEUTSCHLAND—

Tel.: +49 (0) 160 2611 003  
e-mail: [deutschland@cumsa.com](mailto:deutschland@cumsa.com)

**CUMSA ASIA PACIFIC Ltd.**  
Tel.: +86 755 2823 6174



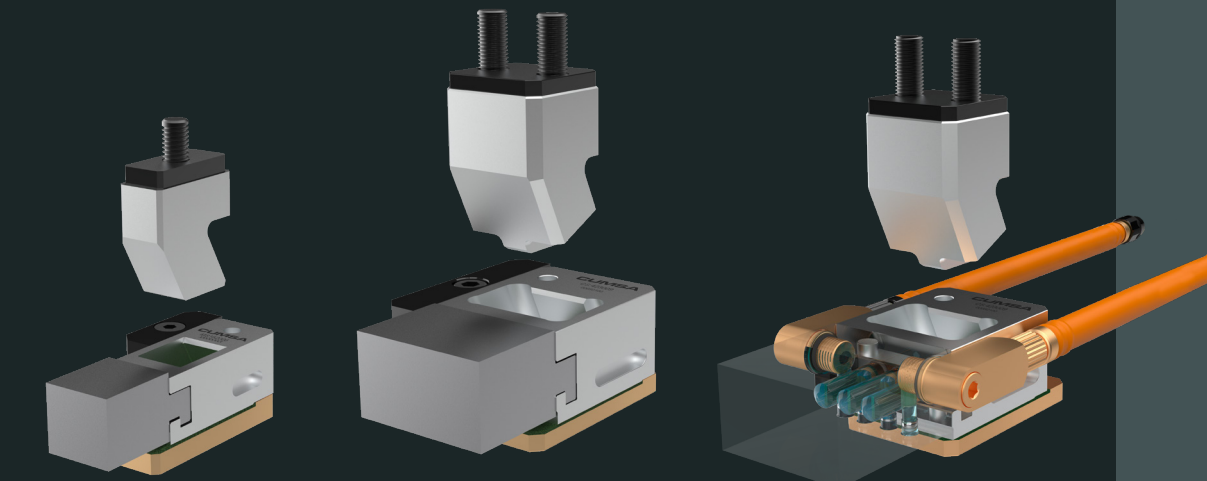
**NEED HELP INCORPORATING CUMSA PRODUCTS?**

Contact our team at [technical@cumsa.com](mailto:technical@cumsa.com) for a free project consultation.

# CUMSA

INNOVATIVE SOLUTIONS  
FOR YOUR MOLDS

# THE SLIDES REVOLUTION



**MS** MINI  
SLIDE

**CS** COMPACT  
SLIDE

**CR** COOLED  
COMPACT SLIDE

**INTRODUCING THE NEW  
FLOATING INSERT**

SLIDES

CS

MS

CR

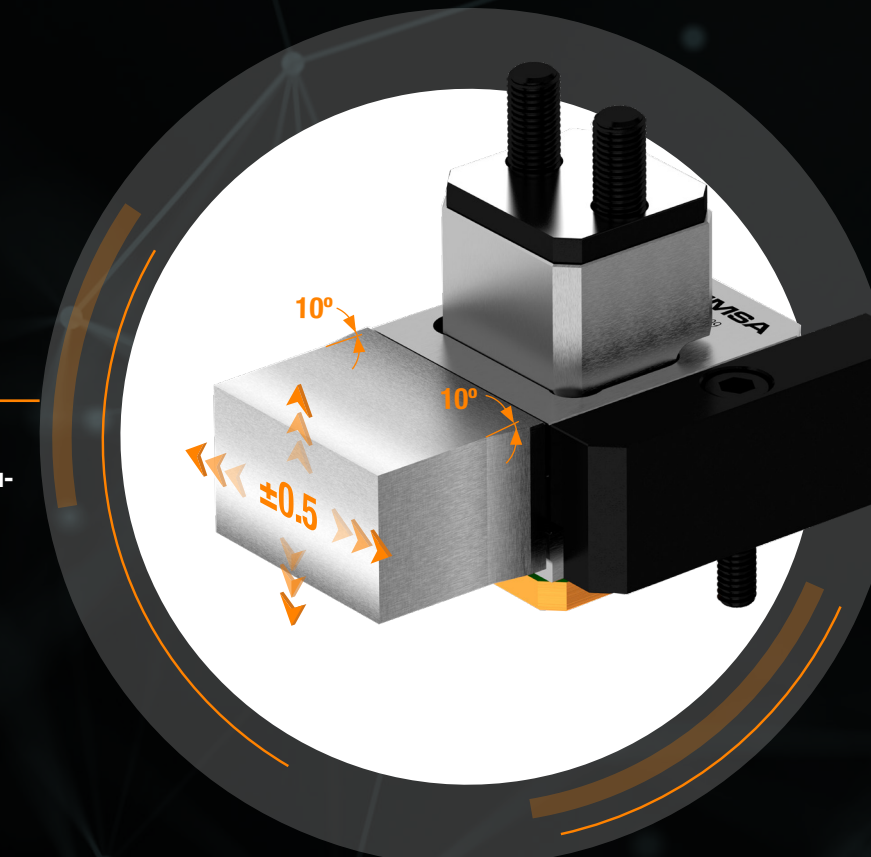
**WELCOME TO  
THE NEW ERA OF SLIDES**



FULL CATALOGUE PAGE

## Floating Insert

The floating insert allows for self-centering in the cavity because of the 10° cone machined by the customer and its horizontal and vertical movement when the mold closes.

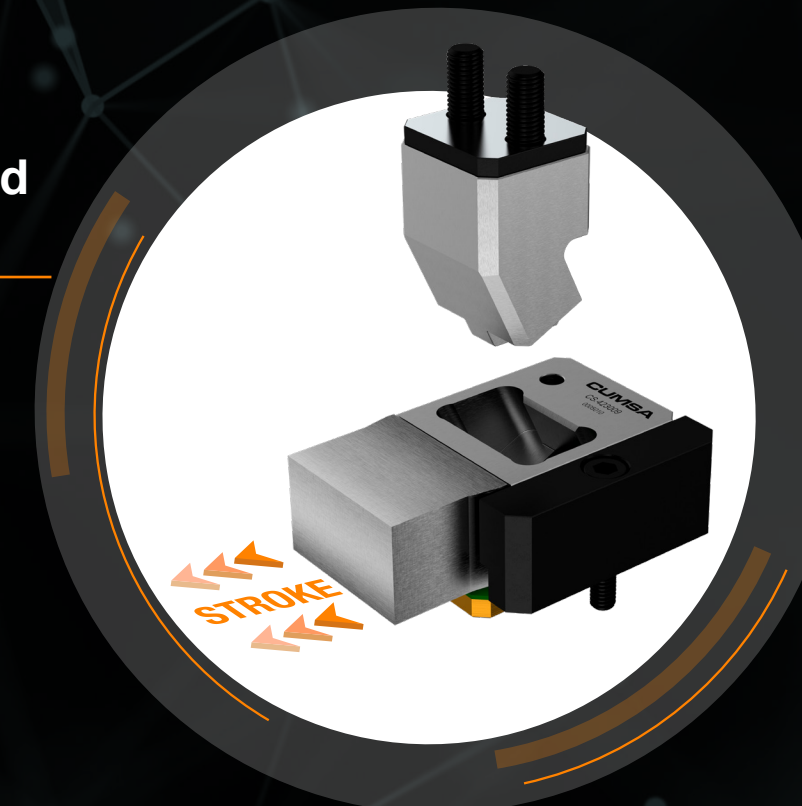


PLAY

## 6 Insert dimensions and 9 Different strokes

The CS, MS and the CR part numbers offer a great range of dimensions, so the slide can be used in many molds.

INSERT DIMENSIONS	STROKE
11.6x12.2	3
17.6x16.5	6
23.6x20.5	8
41.5x24	9
	17
51.5x30	11.5
	19
61.5x36	14
	22

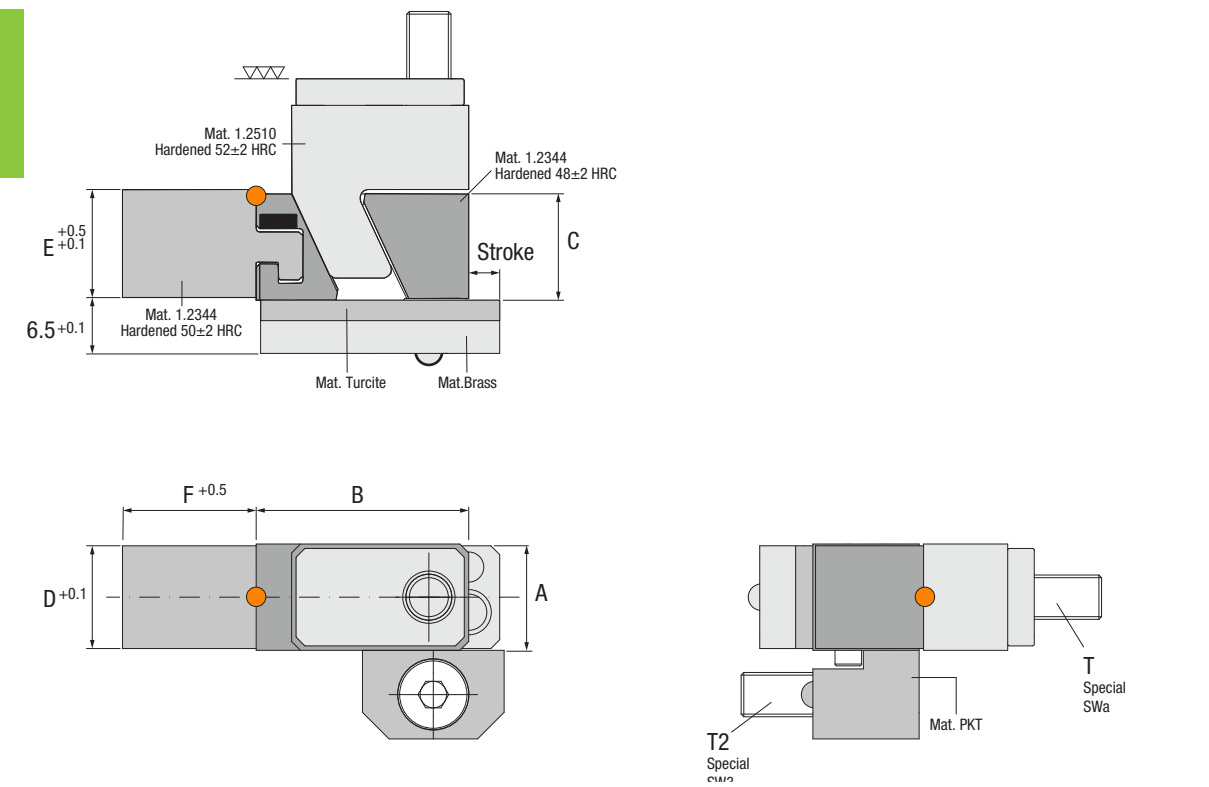


CUMSA

[www.cumsa.com](http://www.cumsa.com)

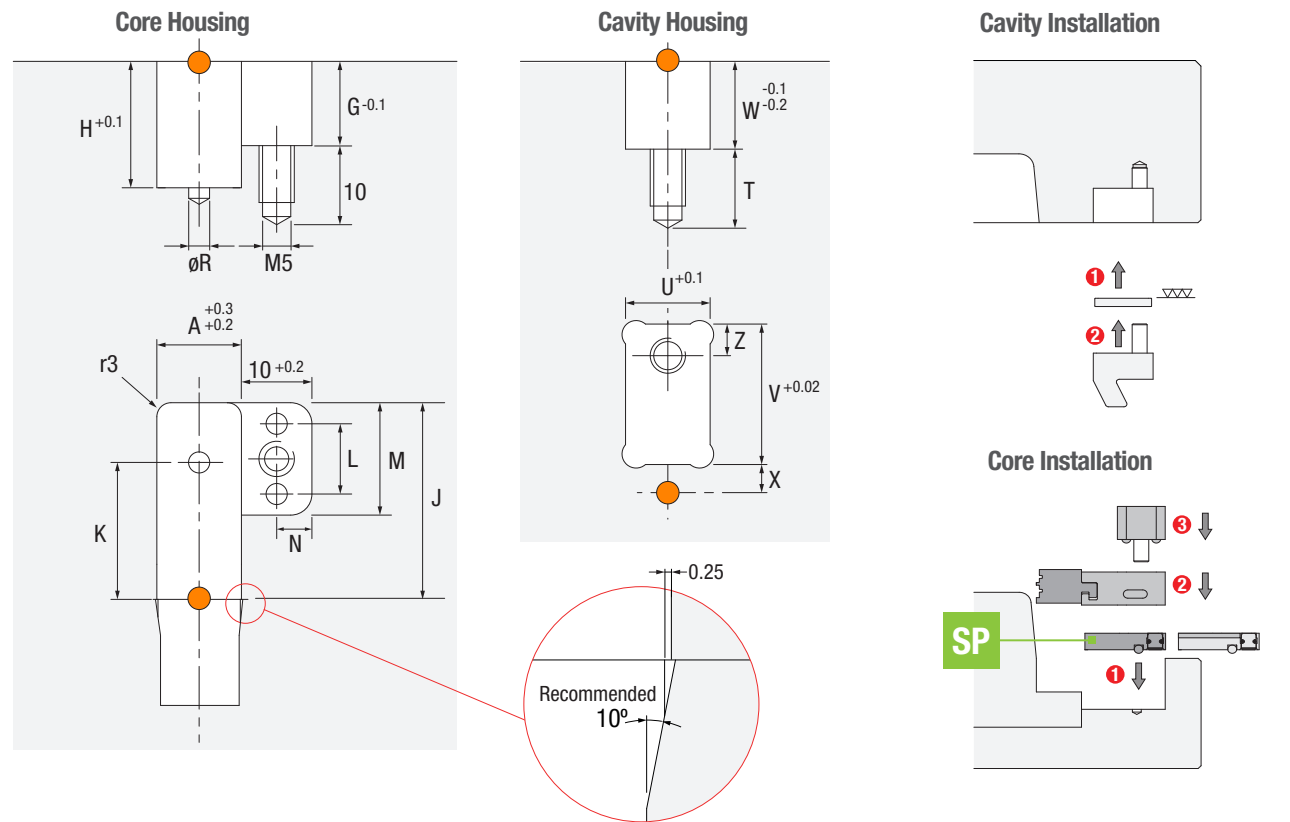
EN

# MS

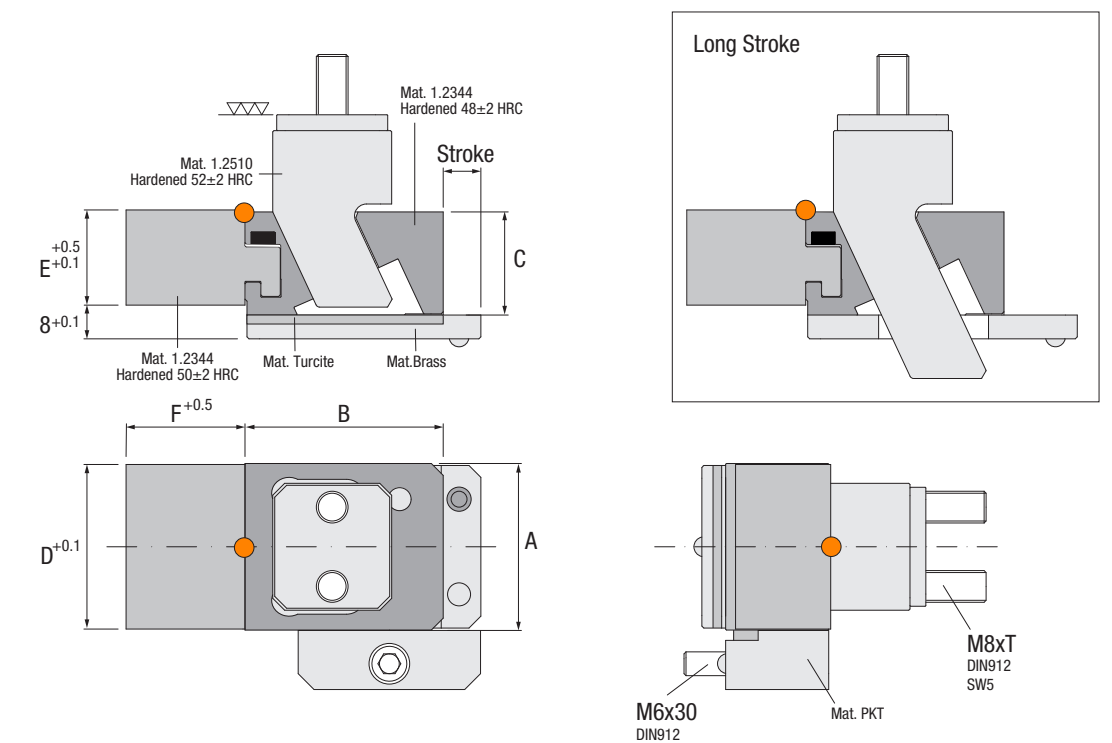


Ref.	A	B	C	D	E	F	G	H	J	K	L	M	N	R	Stroke	T	T2	U	V	W	X	Z
MS.121503	12	24	12	11.6	12.2	15	12.5	18.5	28	19.5	10	16	5	3	3	M5x20	M5x20	12	20	12.5	4	4.5
MS.182006	18	41	16	17.6	16.5	20	16.5	22.5	47	32.5	16	28	4.5	5	6	M6x40	M5x25	12	26	15.5	7	13
MS.242608	24	45	20	23.6	20.5	26	16.5	26.5	53	38.5	16	28	4.5	5	8	M6x45	M5x25	17	30	16.5	7	15

### Installation Guidelines

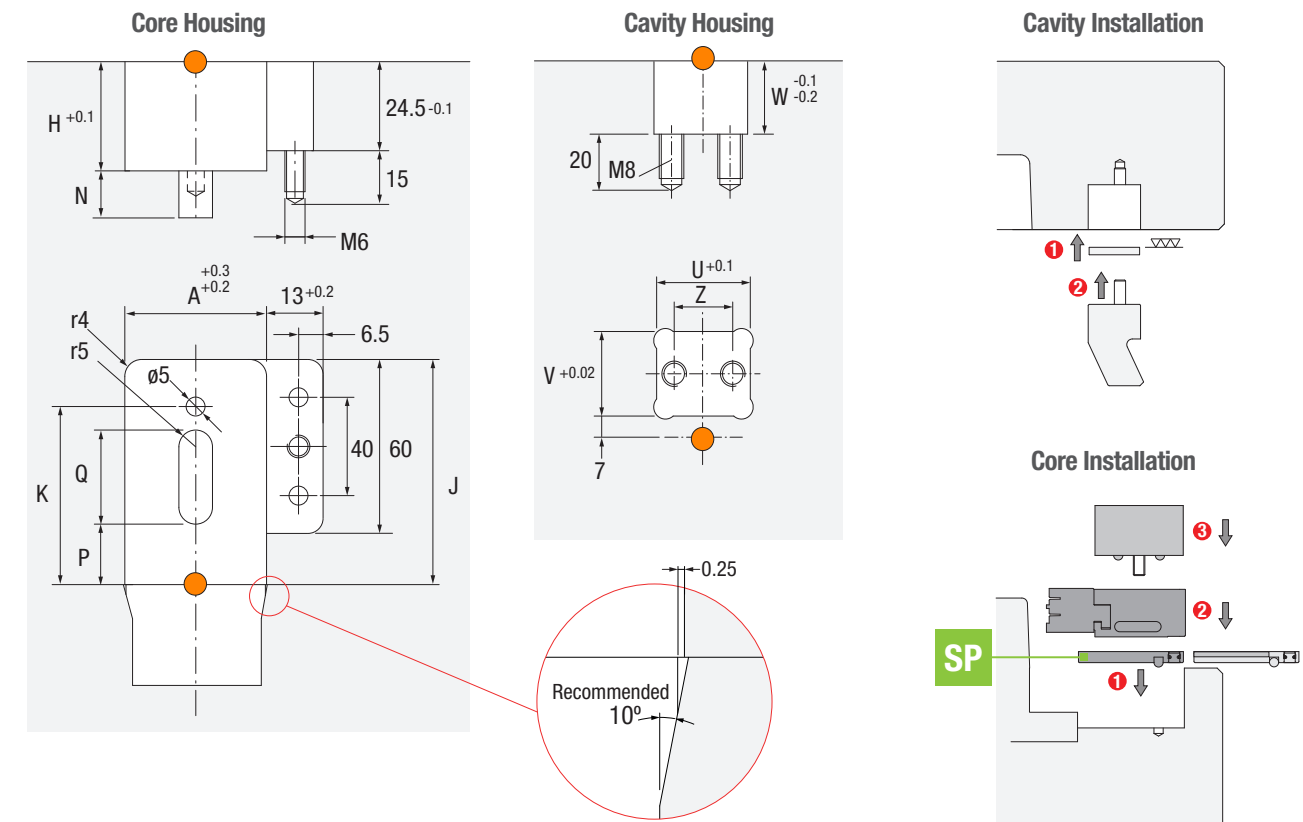


# CS

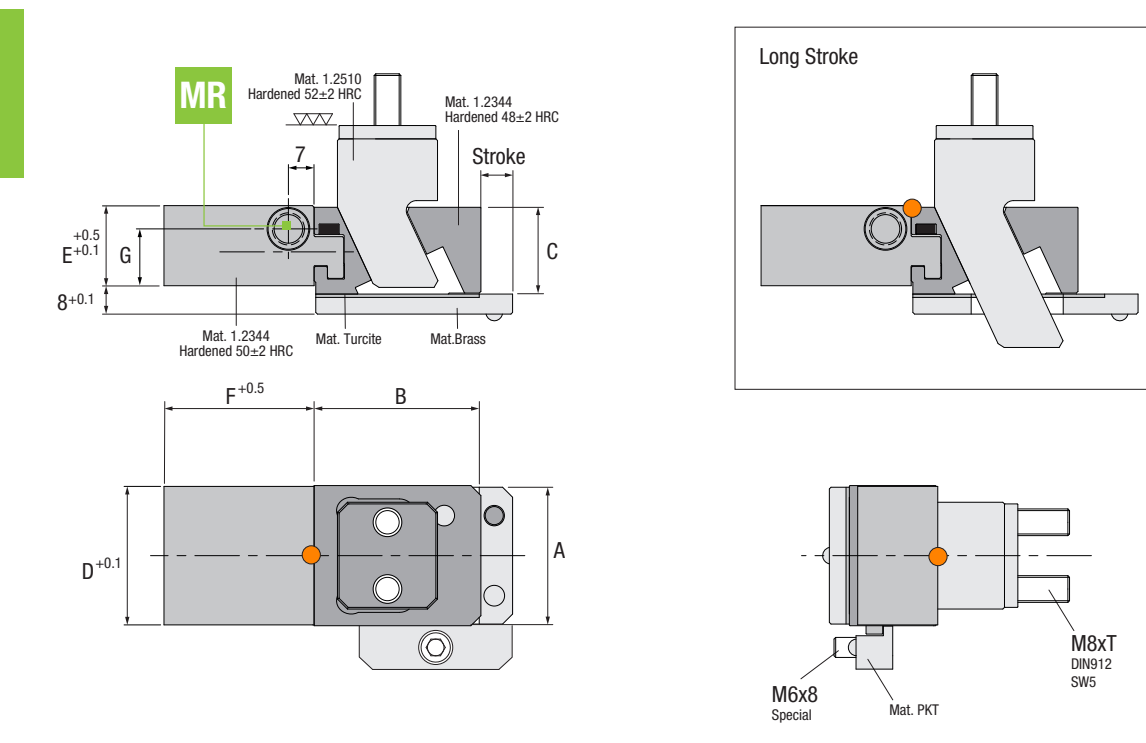


Ref.	A	B	C	D	E	F	H	J	K	P	Q	N	Stroke	T	U	V	W	Z
CS.423009	42	50	26	41.5	24	30	32.5	60	54	-	-	-	9	55	32	30	24	20
CS.423017	42	50	26	41.5	24	30	32.5	68.5	62.5	17	34	12	17	55	32	30	24	20
CS.523511	52	56	32	51.5	30	35	38.5	69	63	-	-	-	11.5	55	38	34	26	20
CS.523519	52	56	32	51.5	30	35	38.5	76	70	20	35	9	19	55	38	34	26	20
CS.624014	62	62	38	61.5	36	40	44.5	77	72	-	-	-	14	60	44	38	28	24
CS.624022	62	62	38	61.5	36	40	44.5	85	81	23	39	11	22	60	44	38	28	24

### Installation Guidelines

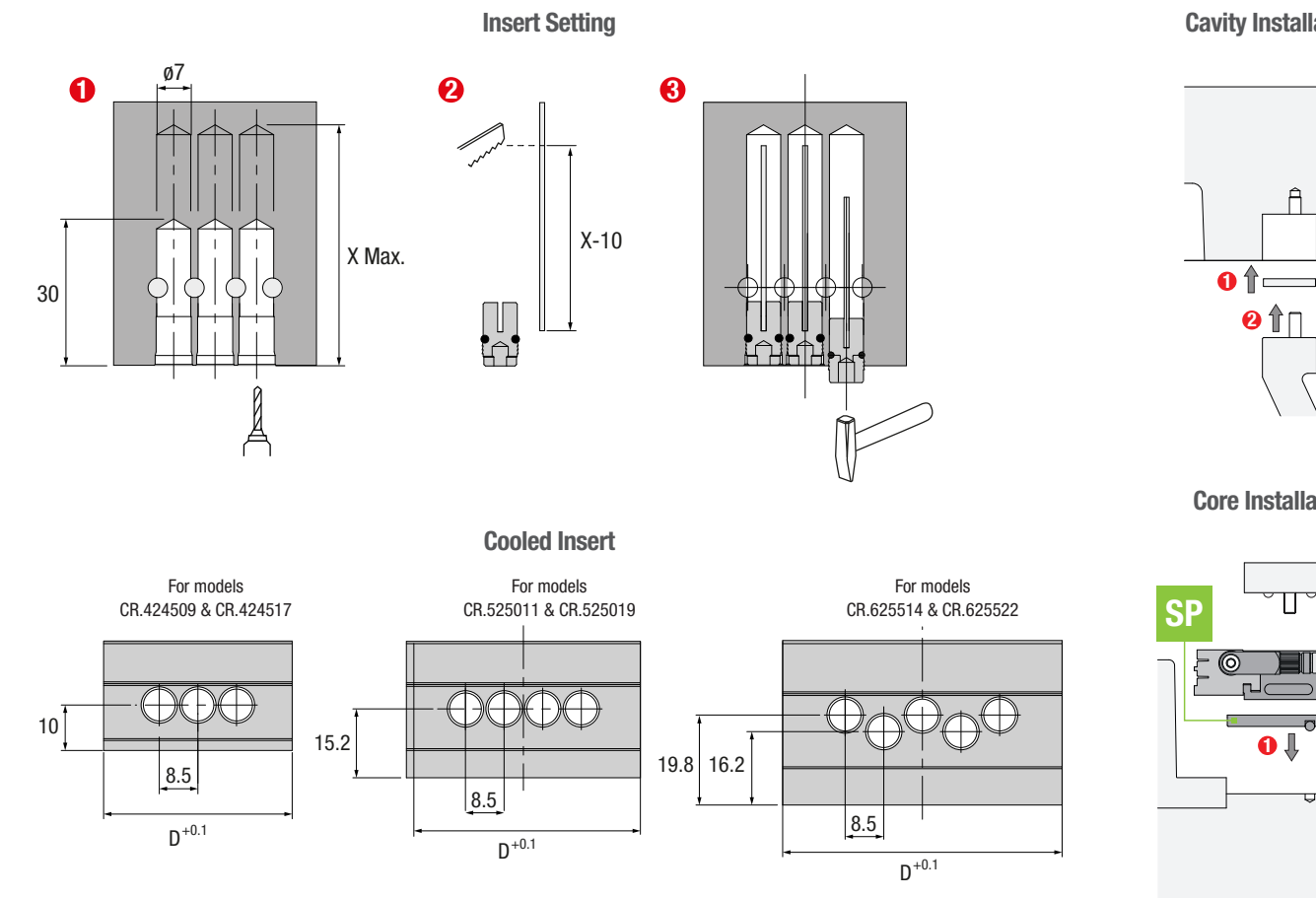


# CR

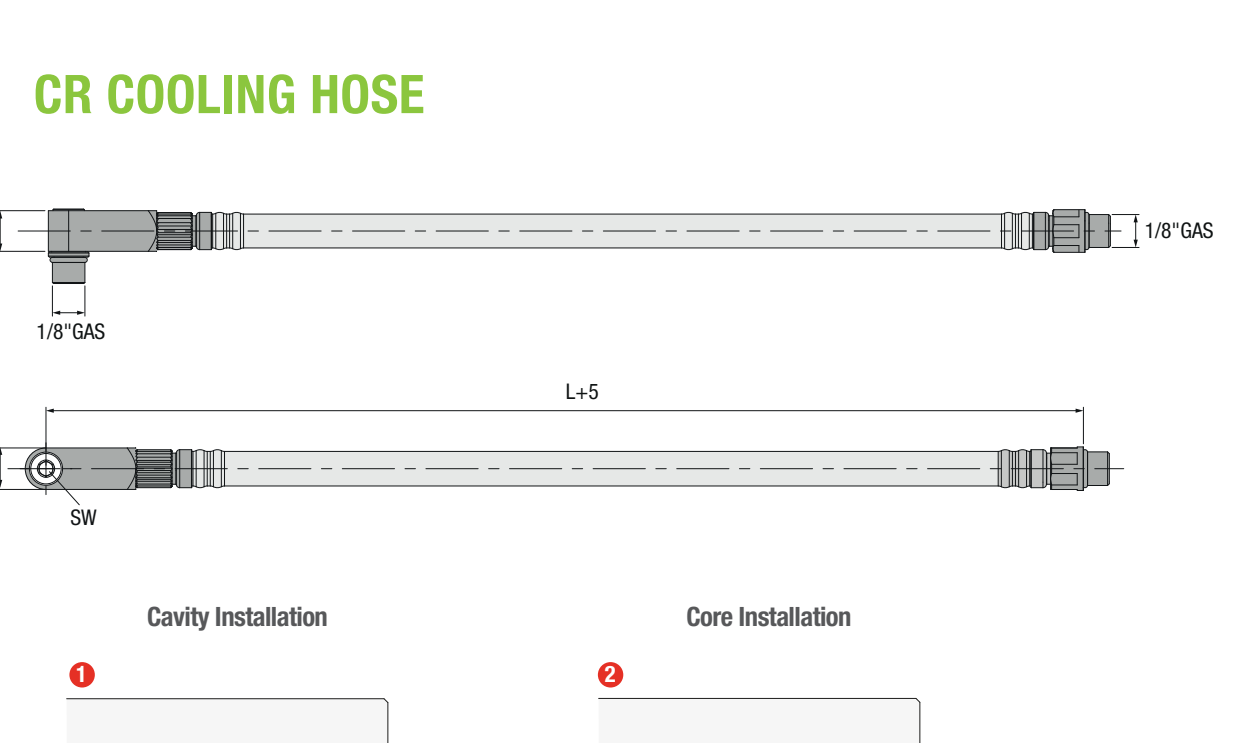


Ref.	A	B	C	D	E	F	G	H	J	K	P	Q	N	Stroke	T	U	V	W	X	Z
CR.424509	42	50	26	41.5	24	45	17	32.5	60	54	-	-	-	9	55	32	30	24	50	20
CR.424517	42	50	26	41.5	24	45	17	32.5	68.5	62.5	17	34	12	17	55	32	30	24	50	20
CR.525011	52	56	32	51.5	30	50	23	38.5	69	63	-	-	-	11.5	55	38	34	26	55	20
CR.525019	52	56	32	51.5	30	50	23	38.5	76	70	20	35	9	19	55	38	34	26	55	20
CR.625514	62	62	38	61.5	36	55	29	44.5	77	72	-	-	-	14	60	44	38	28	60	24
CR.625522	62	62	38	61.5	36	55	29	44.5	85	81	23	39	11	22	60	44	38	28	60	24

### Installation Guidelines

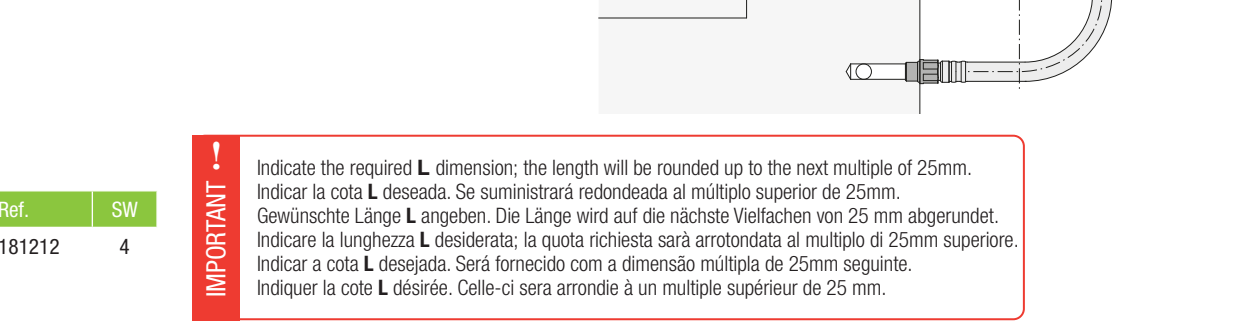


# MR



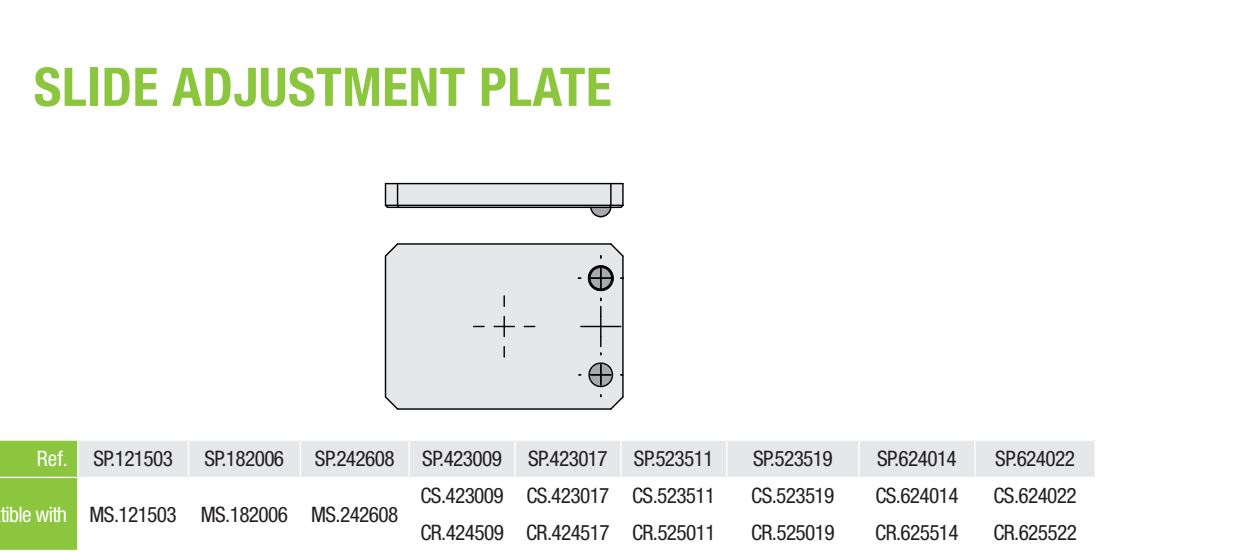
Ref.	A	B	C	D	E	F	G	H	J	K	P	Q	N	Stroke	T	U	V	W	X	Z		
MR.181212	12	24	12	11.6	12.2	15	12.5	18.5	28	19.5	10	16	5	3	3	M5x20	M5x20	12	20	12.5	4	4.5
MR.182006	18	41	16	17.6	16.5	20	16.5	22.5	47	32.5	16	28	4.5	5	6	M6x40	M5x25	12	26	15.5	7	13
MR.242608	24	45	20	23.6	20.5	26	16.5	26.5	53	38.5	16	28	4.5	5	8	M6x45	M5x25	17	30	16.5	7	15

### Installation Guidelines



**IMPORTANT**  
 Indicate the required L dimension; the length will be rounded up to the next multiple of 25mm.  
 Indicar la cota L deseada. Se suministrará redondeada al múltiplo superior de 25mm.  
 Gewünschte Länge angeben. Die Länge wird auf die nächste Vielfachen von 25mm abgerundet.  
 Indicare la lunghezza L desiderata; la quota richiesta sarà arrotondata al multiplo di 25mm superiore.  
 Indicar a cota L desejada. Será fornecido com a dimensão múltipla de 25mm seguinte.  
 Indiquer la cote L désirée. Celle-ci sera arrondie à un multiple supérieur de 25 mm.

# SP



Ref.	SP.121503	SP.182006	SP.242608	SP.423009	SP.423017	SP.523511	SP.523519	SP.624014	SP.624022
Compatible with	MS.121503	MS.182006	MS.242608	CS.423009	CS.423017	CS.523511	CS.523519	CS.624014	CS.624022
				CR.424509	CR.424517	CR.525011	CR.525019	CR.625514	CR.625522