

# CUMSA

INNOVATIVE SOLUTIONS  
FOR YOUR MOLDS

## MAXIMIZE SLIDE TRAVEL MINIMIZING THE SIZE OF THE MOLD OPENING



LS

LONG STROKE  
FOR SLIDES

INCORPORATING CUMSA'S  
PATENTED DOUBLE RACK SYSTEM

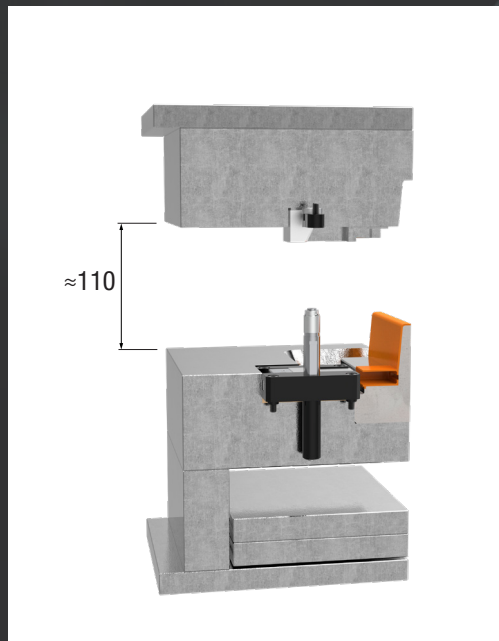
SLIDES

EN

# Can you imagine having up to 100mm of slide travel with only a 110mm mold opening?

This is now possible with the CUMSA Long Stroke for Slides

## CUMSA NEW SYSTEM

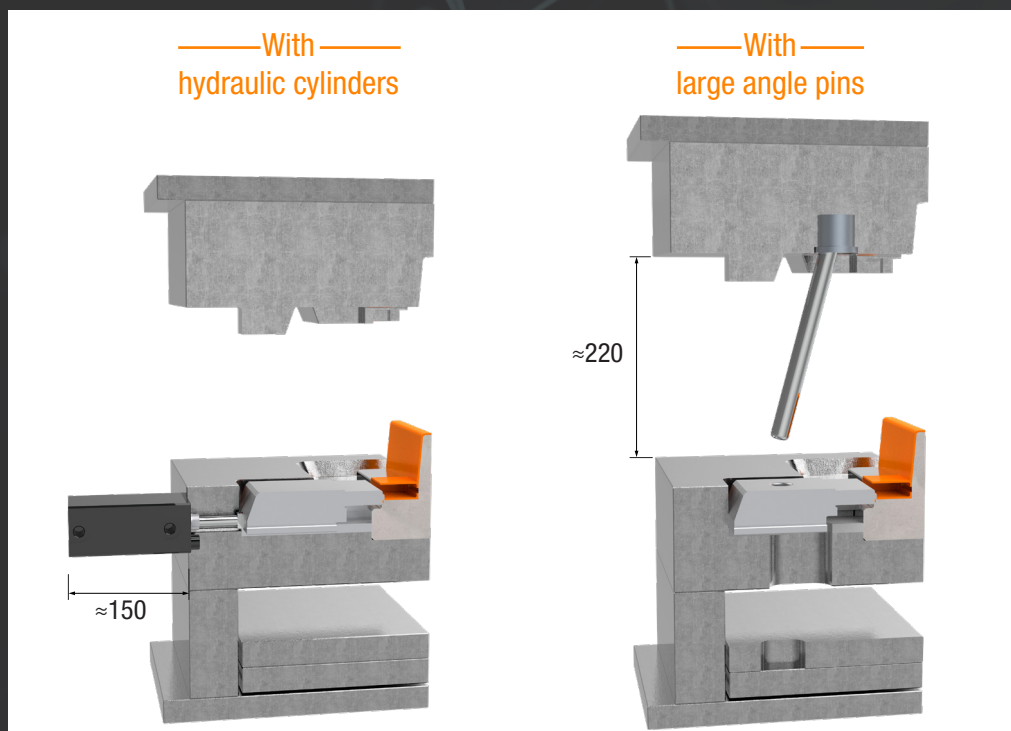


### CUMSA SOLUTION BENEFITS:

- 100% Mechanical solution.
- Compact System.
- Easy vertical housings.
- Keeps the mold simple and smaller, no need for angle pins or hydraulic cylinders.
- Allows for the use of smaller injection molding machines and lower costs.



## CONVENTIONAL SYSTEM



# GREAT ADVANTAGES



## NEW SYSTEM ADAPTABLE TO ANY SLIDE

The system only needs an easy machining to be connected to any slide, which will activate the slide movement when the mold opens.



## MULTIPLE OPTIONS

Two different rod diameters with 3 strokes (50, 75 and 100mm.). Mirror parts available to install large slides on each side, or to better fit the mold design for single sided slides. Additionally, this part can be fitted on slides with angles from  $-25^{\circ}$  to  $+25^{\circ}$ !



## SMALLER SPACE REQUIRED

This compact product can fit into any small space.



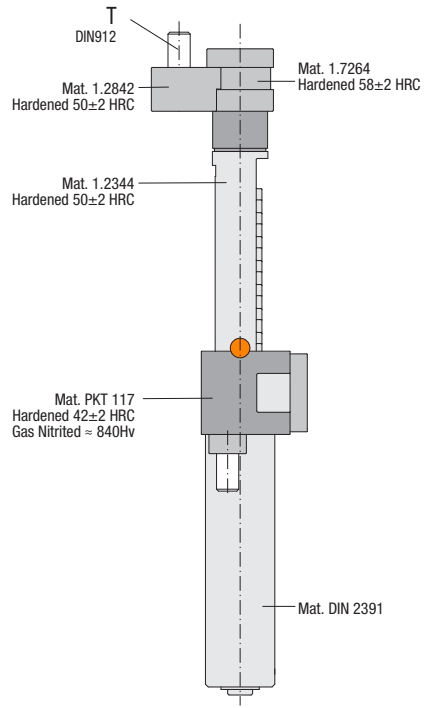
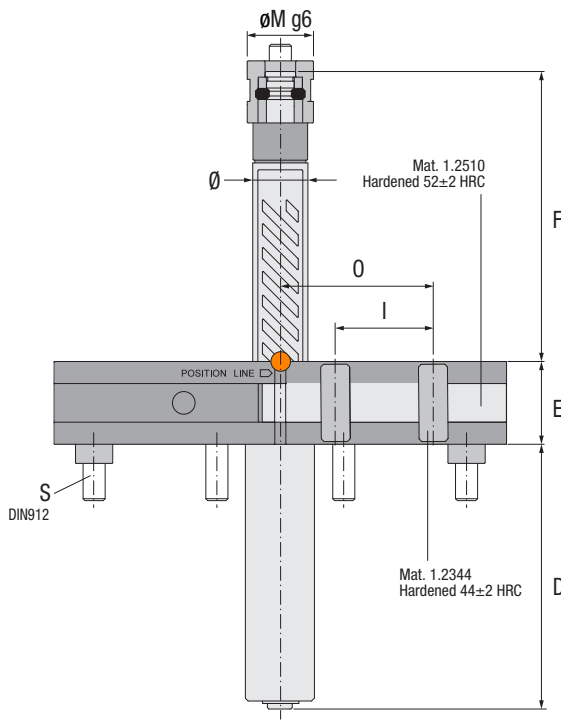
## OVERALL SAVINGS

Forget about long angle pins or complex hydraulic cylinders. This mechanical solution comes with a slide retainer, which can bring an overall cost reduction up to 30%.

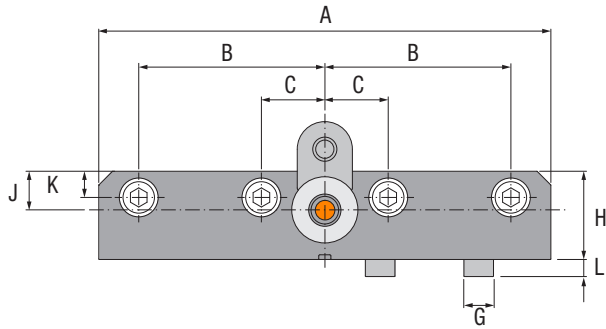


## APPROPRIATE FOR AUTOMATION

Thanks to the fact that there are no angle pins which can cause interference, this system can work with robotic arms that are used for part retrieval.



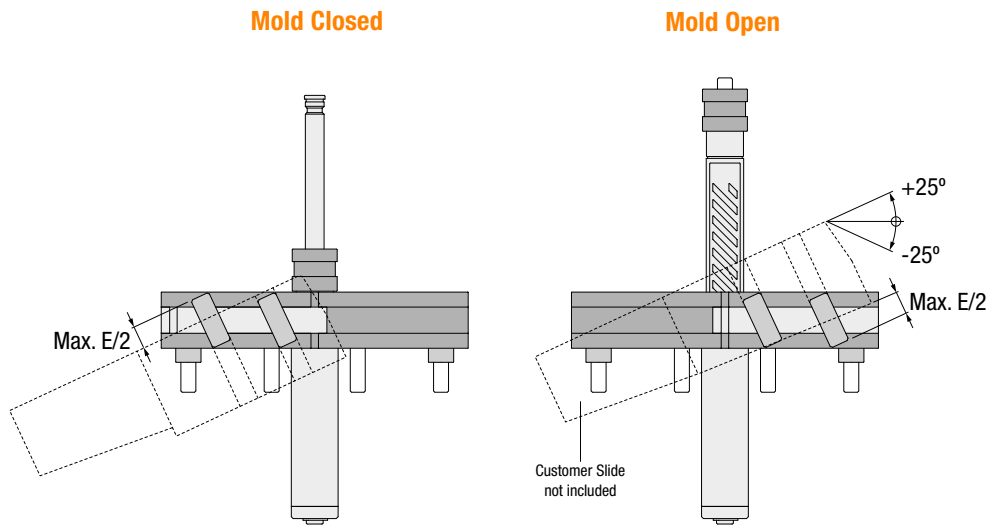
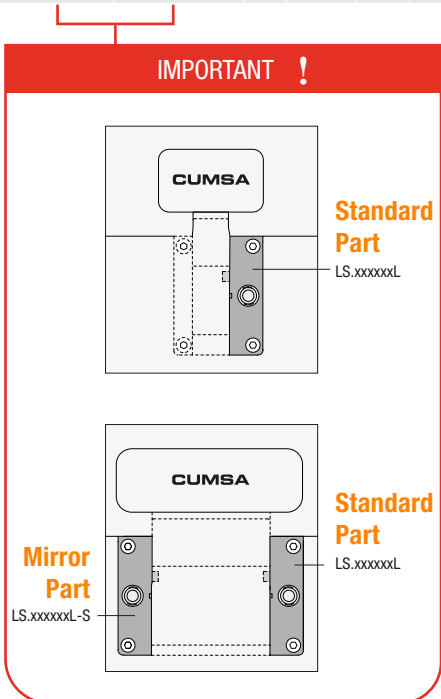
● Cad Insertion Point



Standard Ref.	Mirror Ref. -S	Ø	Stroke	A	B	C	D	E	F	G	H	I	J	K	L	M	N	O	P	Q	R	S	T
LS.20050L	LS.20050L-S	20	50	114	47.5	-	74	30	80	10.5	32	-	14	9.5	6.2	24	8	30	25	26	13.5	M8x45	M8x20
LS.20075L	LS.20075L-S	20	75	164	67.5	23	94	30	105	10.5	32	35.5	14	9.5	6.2	24	8	55	25	26	13.5	M8x45	M8x20
LS.20100L	LS.20100L-S	20	100	214	92.5	30	119	30	130	10.5	32	60.5	14	9.5	6.2	24	8	80	25	26	13.5	M8x45	M8x20
LS.30050L	LS.30050L-S	30	50	126	50	-	72	48	88.5	16	48	-	20.5	13	10.2	36	12	25	35	36	18.5	M12x65	M12x30
LS.30075L	LS.30075L-S	30	75	176	58	-	97	48	114	16	48	-	20.5	13	10.2	36	12	50	35	36	18.5	M12x65	M12x30
LS.30100L	LS.30100L-S	30	100	226	100	46	122	48	139	16	48	50.5	20.5	13	10.2	36	12	75	35	36	18.5	M12x65	M12x30

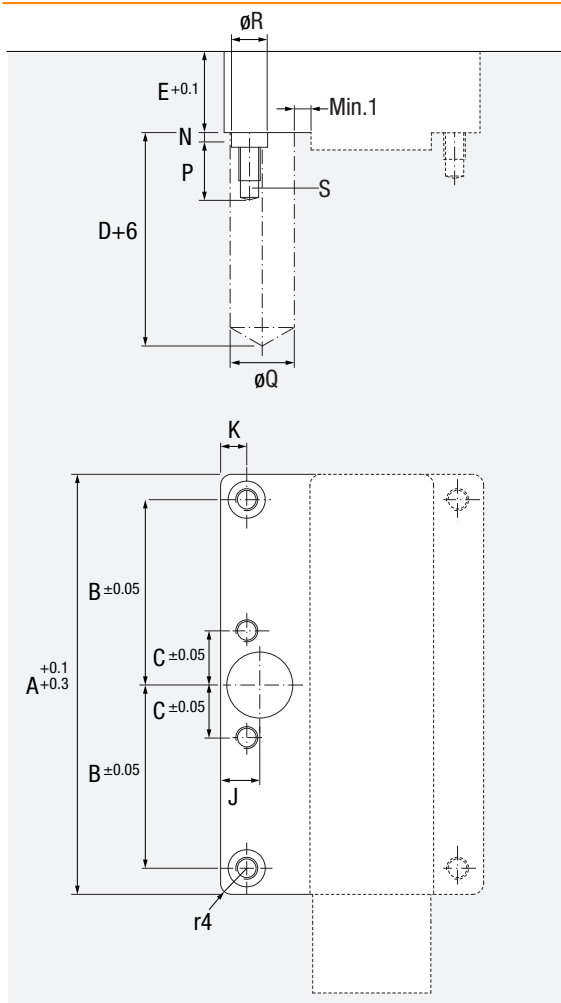
### Angle Options

Opciones de Ángulo · Winkel-Optionen · Opzioni angolari · Opções de ângulo · Options d'angle



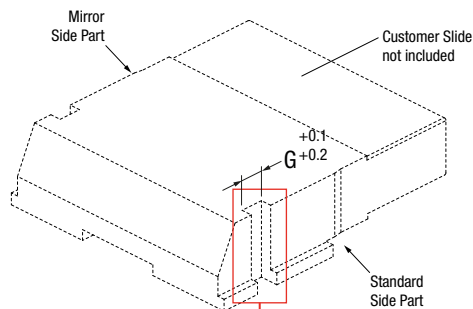
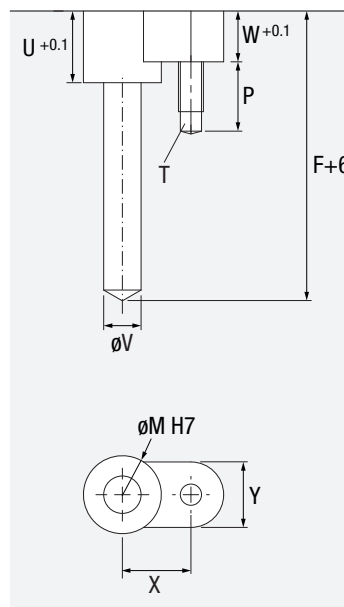
### Core Housing

Alojamiento Placa Punzón · Einbaumaße PB Führung · Sede nel Punzone · Alojamento Bucha · Logement dans l'empreinte



### Cavity Housing

Alojamiento Placa Cavity · Einbaumaße DR Führung · Sede piastra cavità · Alojamento na Cavidade · Logement dans l'empreinte



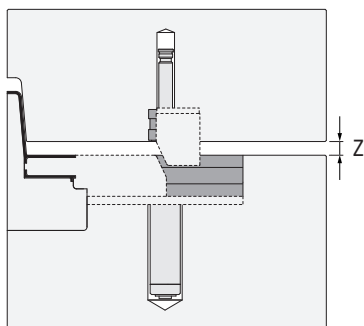
**IMPORTANT !**  
 LS groove connection.  
 Regata para la conexión con el LS.  
 LS-Nutverbindung.  
 Scanalatura di connessione con l'LS.  
 Caixa de encaixe para o LS.  
 Rainure pour la connexion avec le LS.

U	V	W	X	Y	Z
23	12	16.3	22	21	10.7
23	12	16.3	22	21	10.7
23	12	16.3	22	21	10.7
27.5	20	20.5	33	24	12.7
27.5	20	20.5	33	24	12.7
27.5	20	20.5	33	24	12.7

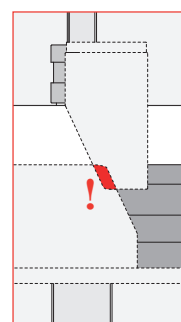
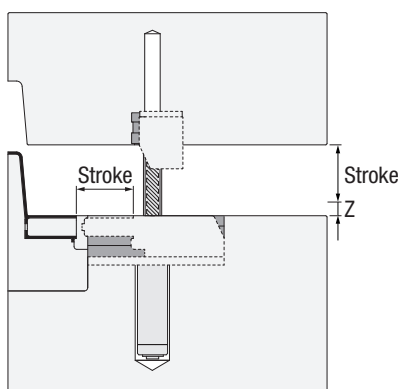
### Installation Guidelines

Consejos de Instalación · Richtlinien zur Installation · Consigli di Installazione · Instruções de Instalação · Mode d'Installation

1



2



**IMPORTANT !**  
 Check heel unit and slide angles to avoid interferences.  
 Verifique los ángulos de la cuña y la corredera para evitar interferencias.  
 Bitte prüfen den Sitz der Verriegelung zu dem Schieber mit dem Winkel um eine Beeinträchtigung zu vermeiden.  
 Verificare il contrasto guida e l'angolo del carrello per evitare interferenze.  
 Verifique angulos de ajuste do bloco de encosto para evitar colisões.  
 Vérifier les angles des cales et des coulisseau pour éviter les interférences.

# CUMSA

[www.cumsa.com](http://www.cumsa.com)

Ed. 2024 - 09

Isaac Peral, 21  
08960 · Sant Just Desvern  
Barcelona · Spain  
Tel: +34 93 473 25 52  
Fax: +34 93 473 49 19  
e-mail: [info@cumsa.com](mailto:info@cumsa.com)



The future  
**IS HERE**

Troy (MI) USA ●  
Barcelona (Spain) ●  
Maceira (Portugal) ●  
Oliveira de Azemeis (Portugal) ●  
Bovisio Masciago (Italia) ●  
Shanghái (China) ●  
Shenzhen (China) ●  
Hong Hong ●

**CUMSA**  
— USA —

Tel.: +1 248 850 8385  
e-mail: [info@cumsausa.com](mailto:info@cumsausa.com)

**EURO**  
**CUMSA**

Tel: +351 244 770 420  
e-mail: [geral@eurocumsa.pt](mailto:geral@eurocumsa.pt)

**CUMSA**  
— ITALIA —

Tel.: +39 (0) 362 170 8735  
e-mail: [cumsaitalia@cumsa.com](mailto:cumsaitalia@cumsa.com)

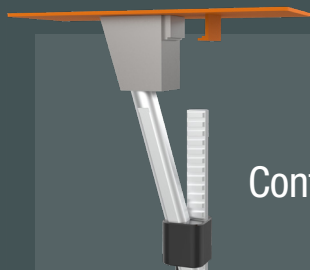
**CUMSA**  
— 坤盛 中国 —

Tel: +86 755 2998 5783  
e-mail: [cumsachina@cumsa.com](mailto:cumsachina@cumsa.com)

**CUMSA**  
— DEUTSCHLAND —

Tel.: +49 (0) 160 2611 003  
e-mail: [deutschland@cumsa.com](mailto:deutschland@cumsa.com)

**CUMSA ASIA PACIFIC Ltd.**  
Tel: +86 755 2823 6174



**NEED HELP INCORPORATING CUMSA PRODUCTS?**  
Contact our team at [technical@cumsa.com](mailto:technical@cumsa.com) for a free project consultation.