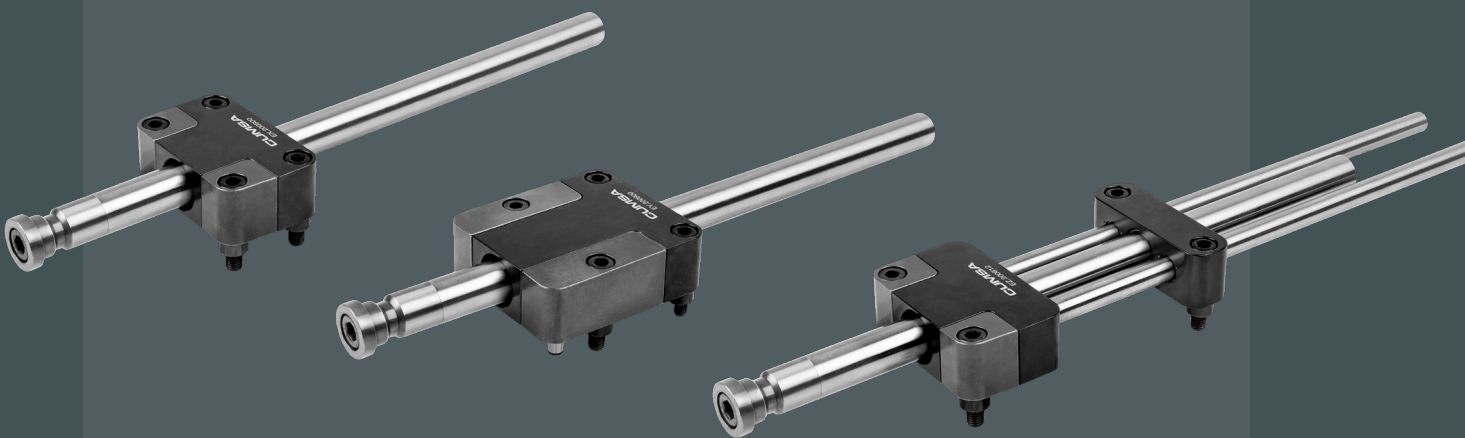


# CUMSA

INNOVATIVE SOLUTIONS  
FOR YOUR MOLDS

## EXTERNAL DOUBLE EJECTION SYSTEMS



EJECTION: EX - EY - EZ - EW

EN

# EXTERNAL DOUBLE EJECTION SYSTEMS: EX - EY - EZ - EW

The new **CUMSA double ejection systems** were designed to control the sequence of double ejections or plate openings. Each type controls the travel determined by the customer, to stop at the selected plates in a locked position while the other plates continue to move.

The new products are adaptable to a variety of medium and large molds sizes and have in common the **following advantages**:

- Completely external set up and simple maintenance
- 4 different rod diameters 14, 20, 32 and 50mm.
- Very easy installation
- Robust and reliable units.
- Extension Rods (**EW**) available to use these systems in taller molds.
- External Fixing (**EB**) available to allow external installation of the EX-EY-EZ Systems.

**The 3 types have its own features as well:**

## **EX: EXTERNAL SUPERIOR PLATE SEPARATOR**

This model is available in 4 sizes, and was designed to be used in two different situations:

- A **pre-opening** plate movement of the mold.
- A **double ejection system**, controlling 2 sets of ejector plates when the machine actuates the upper ejector plates set.

The first opening is customizable up to 250mm for the 2 smaller EX sizes, and up to 375mm, in the 2 larger EX sizes.

The second opening is completely free, as the system will keep the lower set locked until the upper plate returns to its original position.

## **EY: EXTERNAL DOUBLE EJECTION**

This model is available in 4 sizes, and was designed for molds where the upper set of ejector plates are separated, and the **machine actuates the lower set** of ejector plates.

The upper set stops at the core plate, and the rear plate continues to travel until it reaches the upper plate.

The EY can customize the first opening from 30 to 80mm.

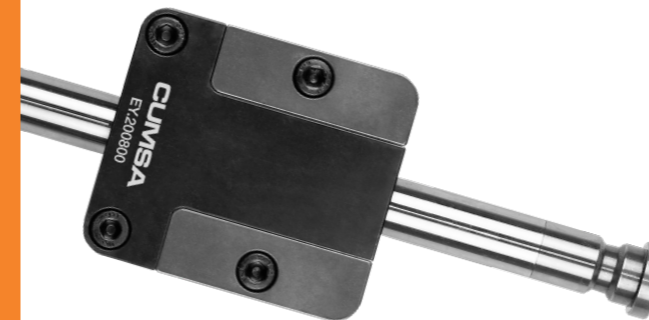
## **EZ: EXTERNAL SYNCHRONIZED PLATES**

This model is available in 4 different sizes, and was designed to allow **synchronized mold plates openings**, regardless of their location.

Once the first stroke is defined, the selected plates will open at the same time and then the rest of the mold will open freely.

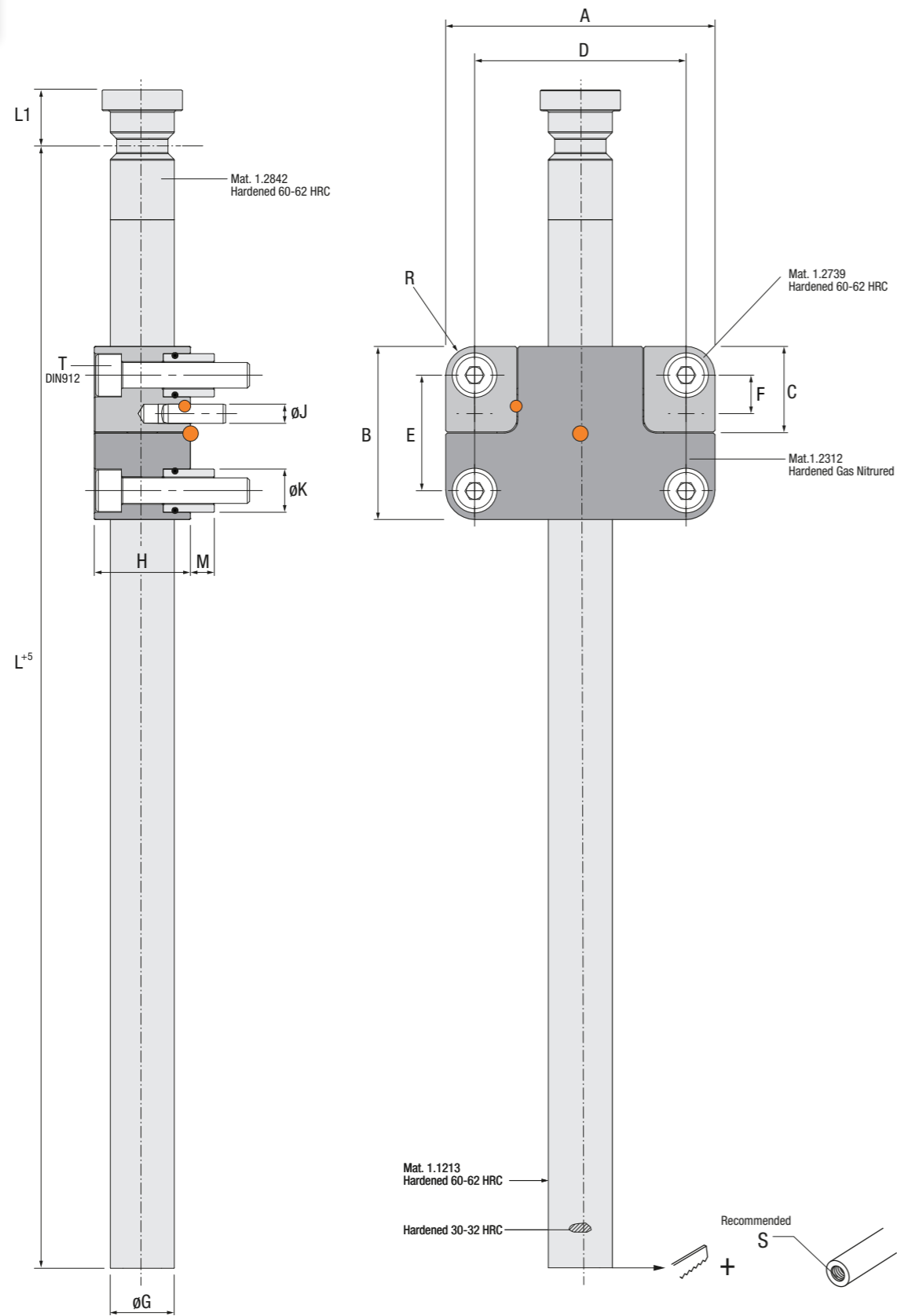
The first stroke is customizable up to 250mm for the 2 smaller sizes, and up to 375mm in the 2 larger sizes. The second movement is free.

**Try them, you will not regret!**



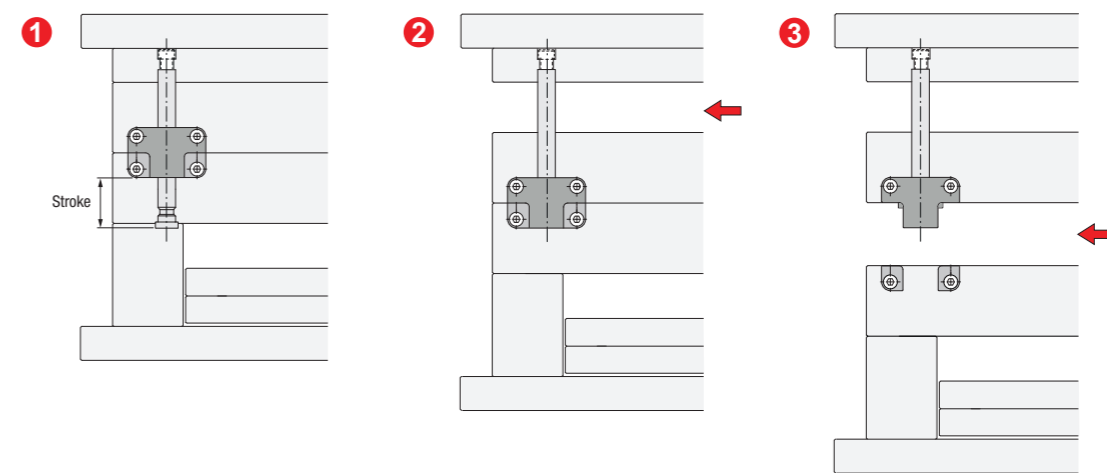


# EXTERNAL SUPERIOR PLATE SEPARATOR

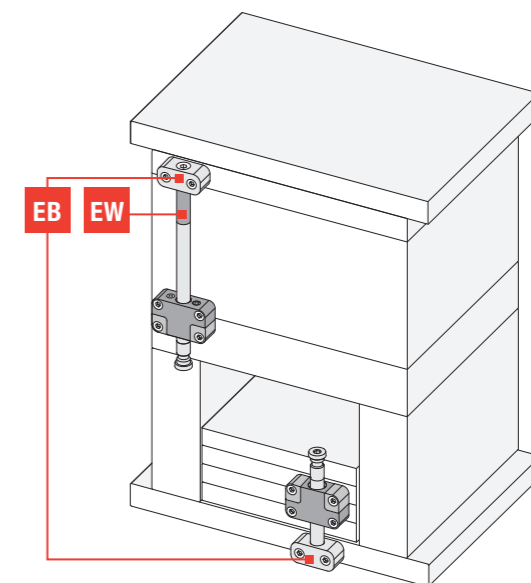
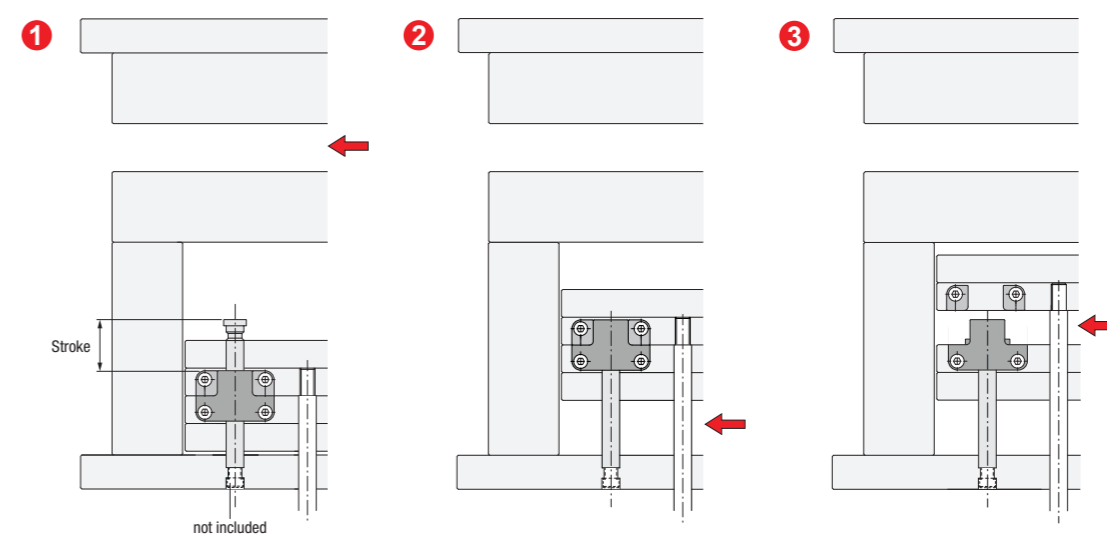


Ref.	A	B	C	D	E	F	G	H	J	K	L	L1	M	R	S	T	Min. Stroke	Max. Stroke	RF (N)
EX.140600	62	40	20	48	26	9	14	22	Ø4x14 (DIN6325)	10.5	348	13	5.5	7.2	M8	M6x30	4	250	4.000
EX.200800	84	54	27	66	36	12	20	30	Ø6x20 (DIN7979)	13.5	348	17.5	7.5	9.2	M12	M8x40	5	250	9.000
EX.321200	126	84	42	102	60	20	32	46	Ø10x30 (DIN7979)	18.5	530	27	11.5	12.5	M16	M12x65	8	375	20.000
EX.501600	174	120	60	140	86	26	50	64	Ø12x40 (DIN7979)	25	530	40	15.5	17	M24	M16x90	10	375	40.000

## THREE PLATE MOLD APPLICATION

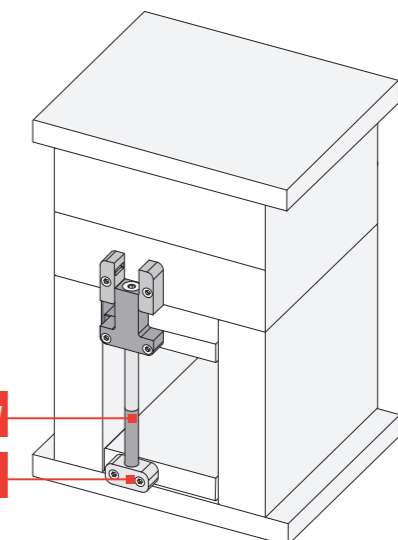
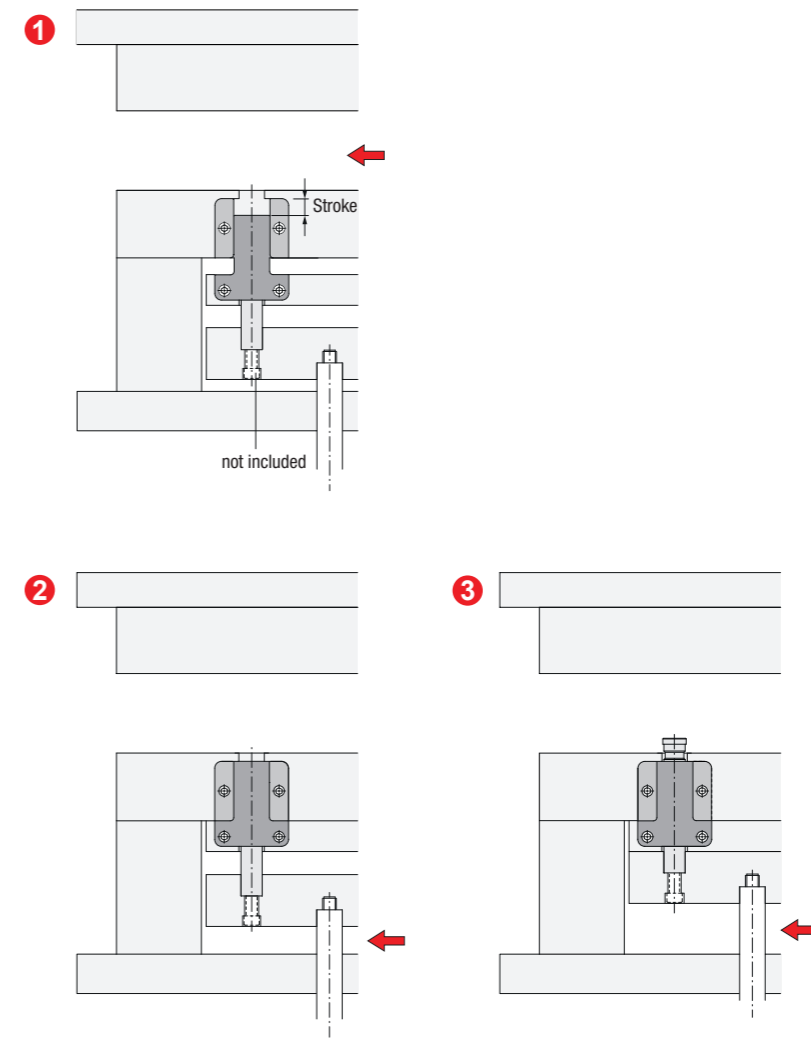
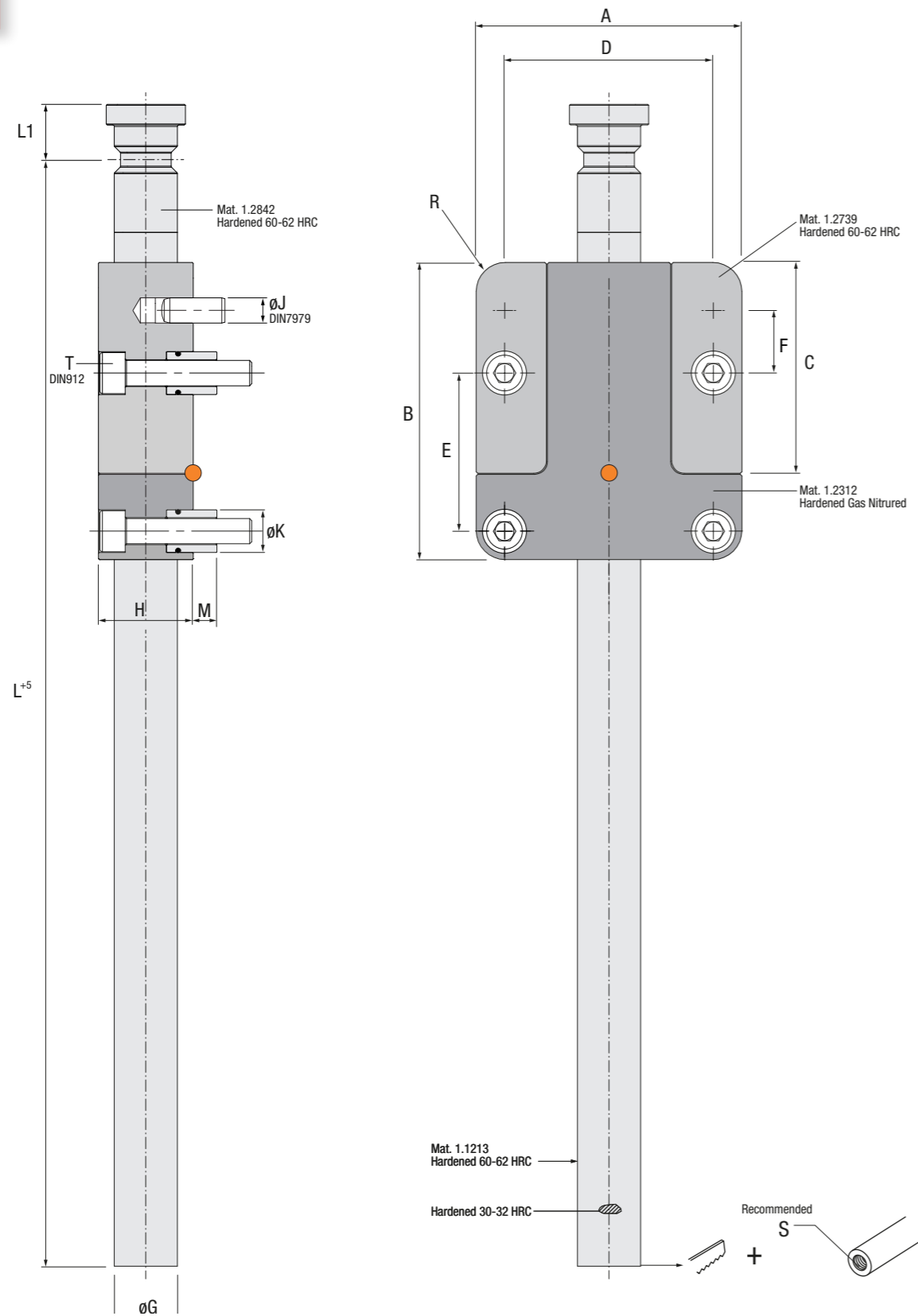


## DOUBLE EJECTION APPLICATION





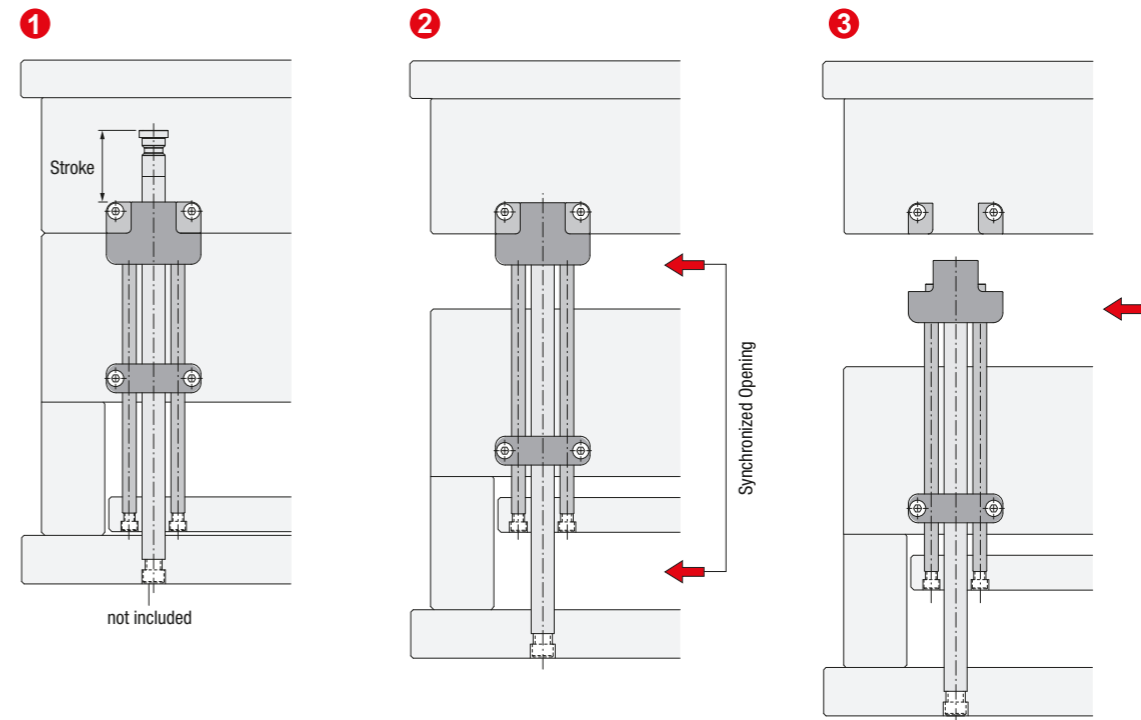
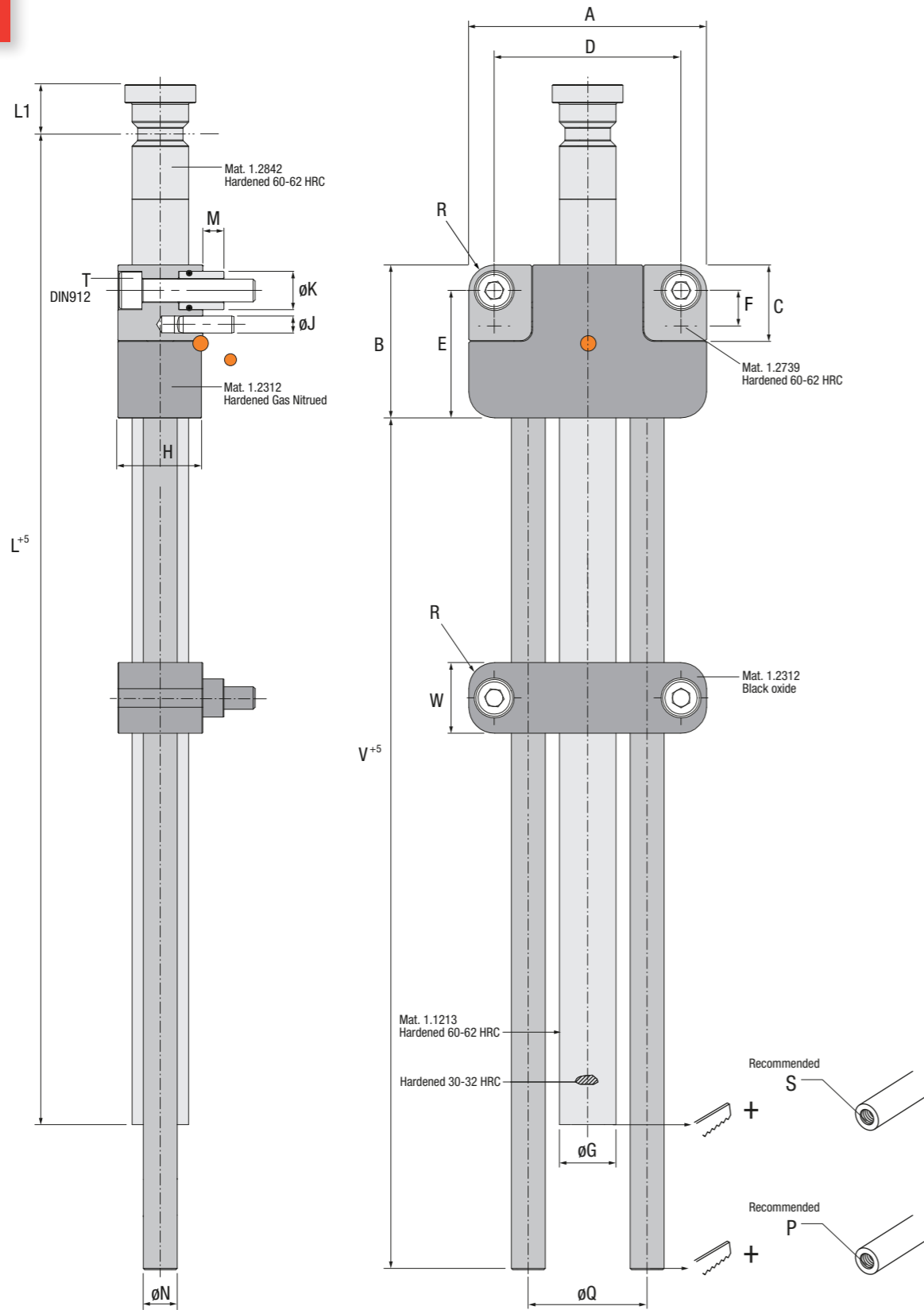
# EXTERNAL DOUBLE EJECTION



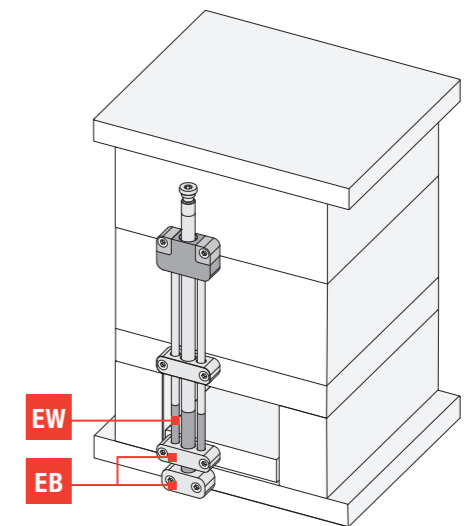
Ref.	A	B	C	D	E	F	G	H	J	K	L	L1	M	R	S	T	Min. Stroke	Max. Stroke	RF (N)
EY.140600	62	70	50	48	38	18	14	22	Ø6x20	10.5	348	13	5.5	7.2	M8	M6x30	6	30	4.000
EY.200800	84	94	67	66	50	26	20	30	Ø8x20	13.5	348	17.5	7.5	9.2	M12	M8x40	8	40	9.000
EY.321200	126	144	102	102	82	38	32	46	Ø10x30	18.5	530	27	11.5	12.5	M16	M12x65	14	60	20.000
EY.501600	174	200	140	140	113	53	50	64	Ø12x40	25	530	40	15.5	17	M24	M16x90	20	80	40.000



# EXTERNAL SYNCHRONIZED PLATES

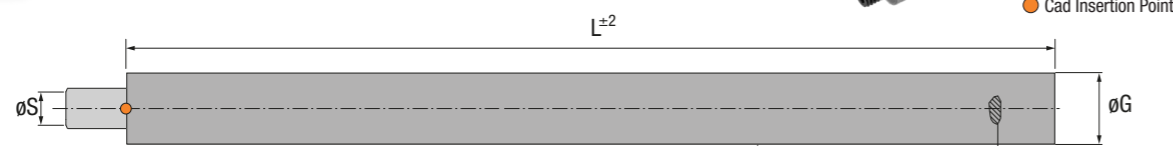


Ref.	A	B	C	D	E	F	G	H	J	K	L	L1	M	N	P	Q	R	S	T	V	W	Min. Stroke	Max. Stroke	RF (N)
EZ.140608	62	40	20	48	33	9	14	22	Ø4x14 (DIN6325)	10.5	348	13	5.5	8	M5	30	7.2	M8	M6x30	300	20	4	250	4.000
EZ.200812	84	54	27	66	45	12	20	30	Ø6x20 (DIN7979)	13.5	348	17.5	7.5	12	M8	42	9.2	M12	M8x40	300	25	5	250	9.000
EZ.321220	126	84	42	102	72	20	32	46	Ø10x30 (DIN7979)	18.5	530	27	11.5	20	M12	65	12.5	M16	M12x65	450	42	8	375	20.000
EZ.501625	174	120	60	140	103	26	50	64	Ø12x40 (DIN7979)	25	530	40	15.5	25	M16	92	17	M24	M16x90	450	60	10	375	40.000



# EW

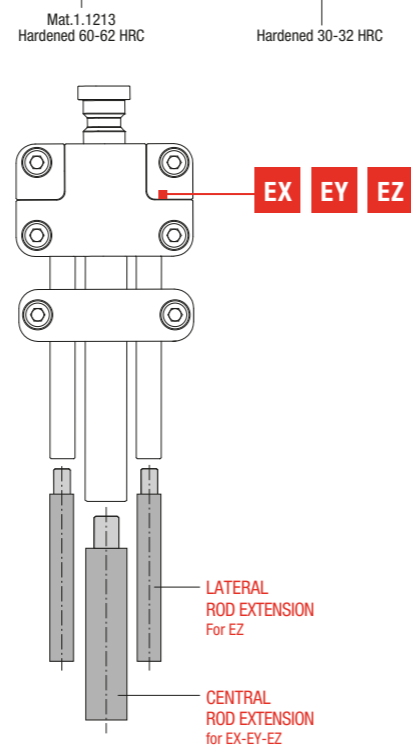
## EX-EY-EZ ROD EXTENSION



CENTRAL ROD EXTENSION				
Ref.	G	L	S	Compatible with
EW.140033	14	330	M8	EX.14 / EY.14 / EZ.14
EW.200033	20	330	M12	EX.20 / EY.20 / EZ.20
EW.320049	32	495	M16	EX.32 / EY.32 / EZ.32
EW.500049	50	495	M24	EX.50 / EY.50 / EZ.50

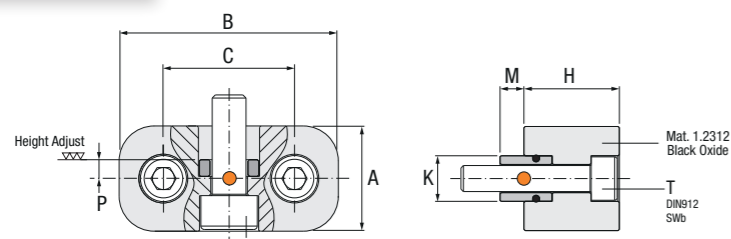
LATERAL ROD EXTENSION				
Ref.	G	L	S	Compatible with
EW.140833	8	330	M5	EZ.14
EW.201233	12	330	M8	EZ.20
EW.322049	20	495	M12	EZ.32
EW.502549	25	495	M16	EZ.50

**IMPORTANT !**  
 Order 2 lateral rod extension for each EZ.  
 Pedir 2 extensiones laterales para cada EZ.  
 Verlängerungsstangen, um die EX,EY und EZ  
 Systeme für größere Werkzeuge nutzen zu können.  
 Ordinare 2 estensioni laterali per ogni EZ.  
 Pedir 2 extensores laterais para cada EZ.  
 Demander 2 extensions latérales pour chacune.



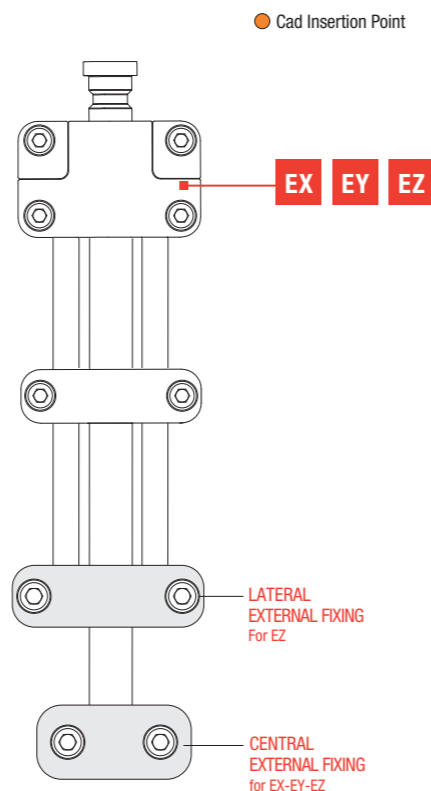
# EB

## EX-EY-EZ EXTERNAL FIXING



CENTRAL EXTERNAL FIXING								
Ref.	A	B	C	K	H	M	T	Compatible with
EB.140020	24	50	30	10.5	22	5.5	M6x30	EX.14 / EY.14 / EZ.14
EB.200025	34	60	38	13.5	30	7.5	M8x40	EX.20 / EY.20 / EZ.20
EB.320042	50	86	52	18.5	46	11.5	M12x65	EX.32 / EY.32 / EZ.32
EB.500060	66	100	64	25	64	15.5	M16x90	EX.50 / EY.50 / EZ.50

LATERAL EXTERNAL FIXING								
Ref.	A	B	C	K	H	M	T	Compatible with
EB.140824	20	62	48	10.5	22	5.5	M6x30	EZ.14
EB.201234	25	84	66	13.5	30	7.5	M8x40	EZ.20
EB.322050	42	126	102	18.5	46	11.5	M12x65	EZ.32
EB.502566	60	174	140	25	64	15.5	M16x90	EZ.50



# CUMSA

INNOVATIVE SOLUTIONS  
FOR YOUR MOLDS

[www.cumsa.com](http://www.cumsa.com)

Ed. 2024 - 06

Isaac Peral, 21  
08960 · Sant Just Desvern  
Barcelona · Spain  
Tel: +34 93 473 25 52  
e-mail: [info@cumsa.com](mailto:info@cumsa.com)



## THE FUTURE IS HERE

Troy (MI) USA ●  
Barcelona (Spain) ●  
Maceira (Portugal) ●  
Oliveira de Azemeis (Portugal) ●  
Bovisio Masciago (Italia) ●  
Shanghái (China) ●  
Shenzhen (China) ●  
Hong Hong ●

**CUMSA**  
—USA—

Tel.: +1 248 850 8385  
e-mail: [info@cumsausa.com](mailto:info@cumsausa.com)

**EURO**  
**CUMSA**

Tel: +351 244 770 420  
e-mail: [geral@eurocumsa.pt](mailto:geral@eurocumsa.pt)

**CUMSA**  
—ITALIA—

Tel.: +39 (0) 362 170 8735  
e-mail: [cumsaitalia@cumsa.com](mailto:cumsaitalia@cumsa.com)

**CUMSA**  
— 坤盛 中国 —

Tel: +86 755 2998 5783  
e-mail: [cumsachina@cumsa.com](mailto:cumsachina@cumsa.com)

**CUMSA**  
—DEUTSCHLAND—

Tel.: +49 (0) 160 2611 003  
e-mail: [deutschland@cumsa.com](mailto:deutschland@cumsa.com)

**CUMSA ASIA PACIFIC Ltd.**  
Tel: +86 755 2823 6174



**NEED HELP INCORPORATING CUMSA PRODUCTS?**

Contact our team at [technical@cumsa.com](mailto:technical@cumsa.com) for a free project consultation.