

# EXTERNAL SUPERIOR PLATE SEPARATOR

ES Separador Placas Superiores Externa DE Externe Obere Plattentrennung  
 IT Separatore Piastre Superiori Esterno PT Separador Chapas Superior Externo FR Séparateur Plaque Supérieure Externe

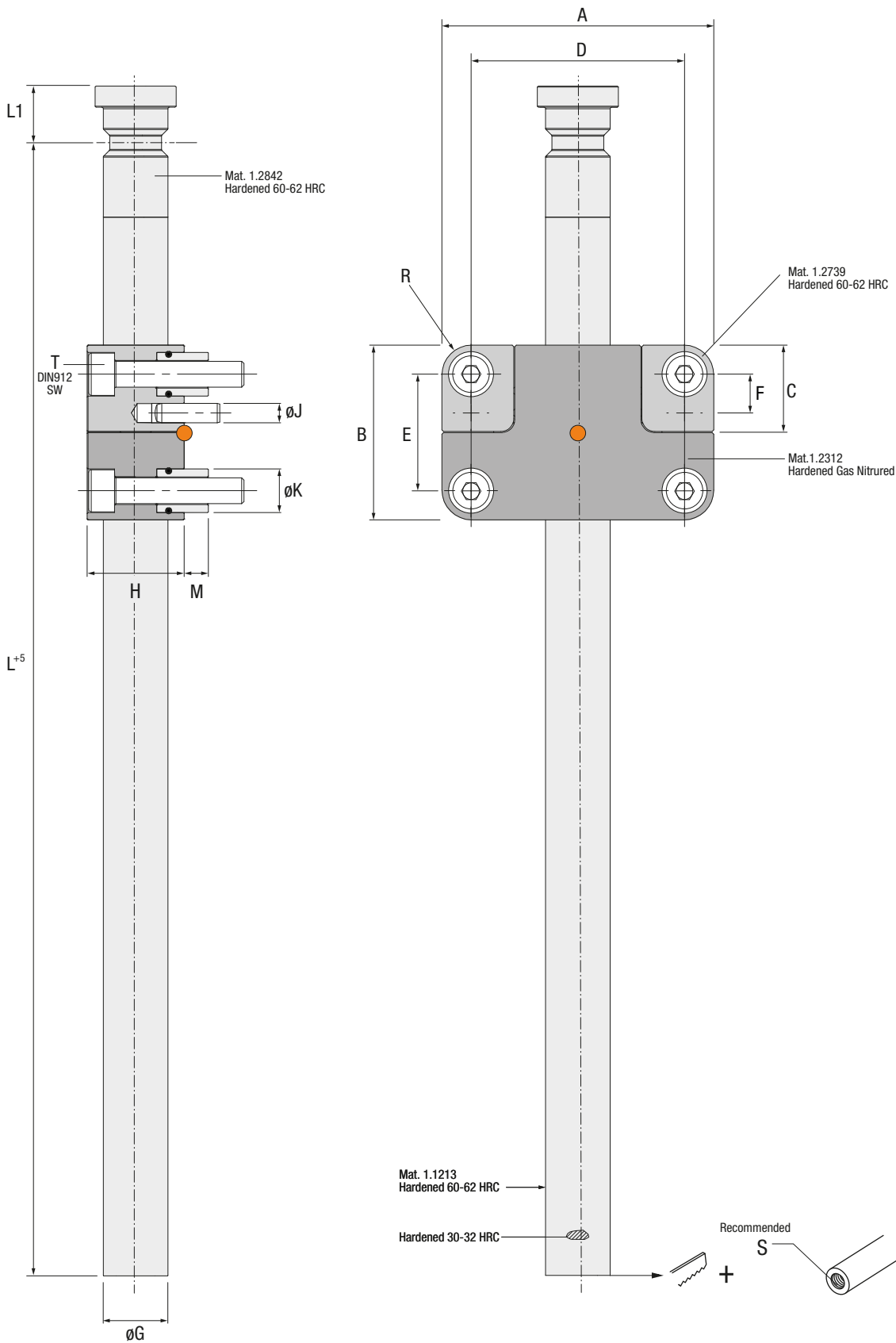
● Cad Insertion Point

# EX

EJECTION



Max. 150°C



Ref.	A	B	C	D	E	F	G	H	J	K	L	L1	M	R	S	T
EX.140600	62	40	20	48	26	9	14	22	ø4x14 (DIN6325)	10.5	348	13	5.5	7.2	M8	M6x30
EX.200800	84	54	27	66	36	12	20	30	ø6x20 (DIN7979)	13.5	348	17.5	7.5	9.2	M12	M8x40
EX.321200	126	84	42	102	60	20	32	46	ø10x30 (DIN7979)	18.5	530	27	11.5	12.5	M16	M12x65
EX.501600	174	120	60	140	86	26	50	64	ø12x40 (DIN7979)	25	530	40	15.5	17	M24	M16x90



# INSTALLATION GUIDELINES

ES Consejos de Instalación DE Richtlinien zur Installation  
 IT Consigli di Installazione PT Instruções de Instalação FR Mode d'Installation



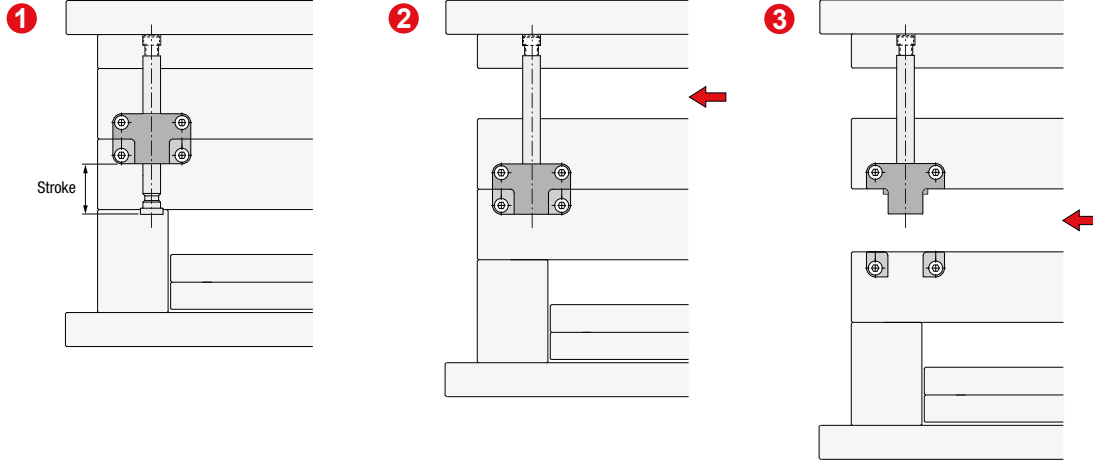
**EX**

**EJECTION**

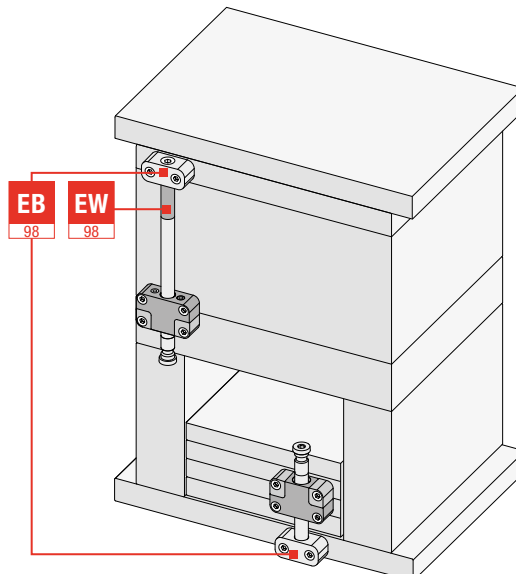
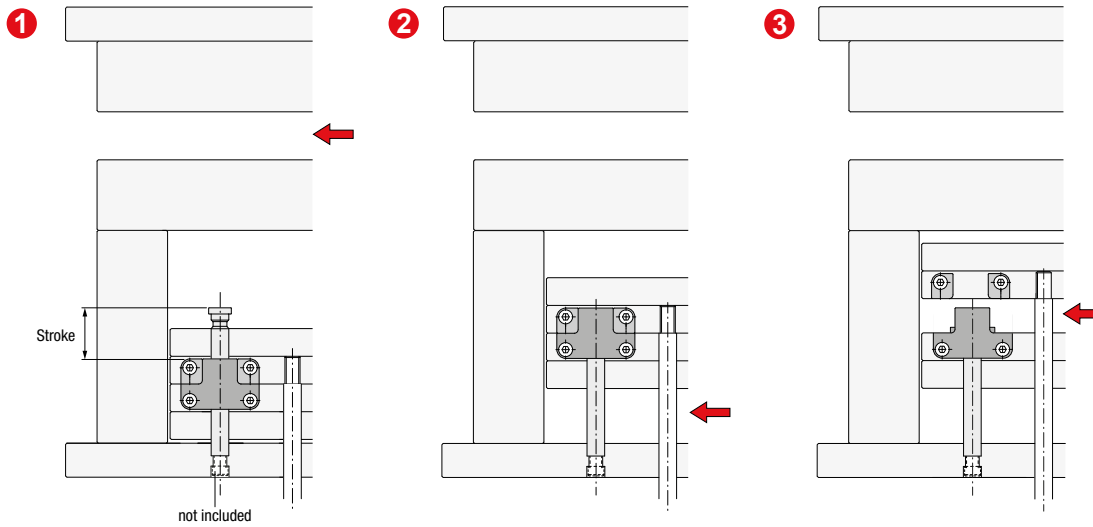


Max. 150°C

## THREE PLATE MOLD APPLICATION



## DOUBLE EJECTION APPLICATION



	Min. Stroke	Max. Stroke	RF (N)	SW
	4	250	4.000	5
	5	250	9.000	6
	8	375	20.000	10
	10	375	40.000	14

