

COOLED RACK LIFTER

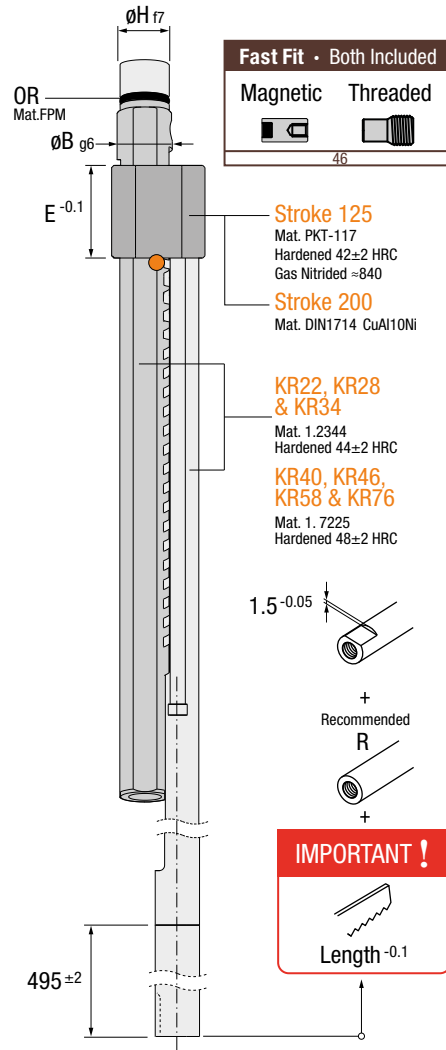
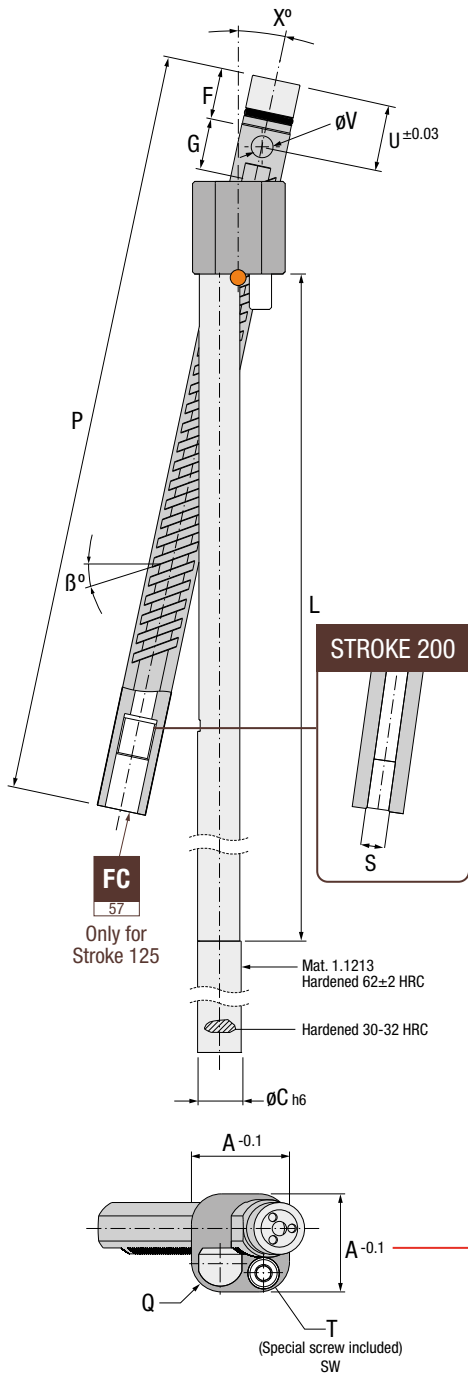
ES Doble Cremallera Refrigerada DE Gekühltes Zweifach Zahnstangen System
 IT Doppia Cremagliera con Refrigerazione PT Duplo Rack Refrigerado FR Double Rack Réfrigéré

● Cad Insertion Point

KR

Patented

Max. 80°C



Fast Fit - Both Included

Magnetic	Threaded
46	

IMPORTANT ! COOLING CONNECTION OPTIONS
 Only for Stroke 125

Option A

Option B

IMPORTANT ! Mirror part.
 Pieza simétrica.
 Symmetrisches Teil.
 Versione a specchio.
 Peça em espelho.
 Pièce en miroir.

Ref.	X°	A	B	C	E	F	G	H	L	P	Q	R	S	T	U	V	OR	Mirror Ref. -S	SW				
Stroke 125	KR.22125L-x	8	12	16	20	22	12	12	22	16	20	10.8	282	260	6.5	M6	-	M6	23	8	8x1.25	KR.22125L-x-S	4
	KR.28125L-x	8	12	16	20	28	16	14	28	16	20	13.8	294.5	272	8.5	M8	-	M8	23	8	11x1.3	KR.28125L-x-S	5
	KR.34125L-x	8	12	16	20	34	20	16	34	18	20	17.8	311.5	275	10.5	M8	-	M8	25	8	14x1.78	KR.34125L-x-S	5
	KR.40125L-x	8	12	16	20	40	22	20	40	20	25	19.8	342	350	10.5	M10	-	M10	28	10	16x2	KR.40125L-x-S	6
	KR.46125L-x	8	12	16	20	46	24	24	46	22	25	21.8	361	350	10.5	M12	-	M12	30	10	18x2	KR.46125L-x-S	8
Stroke 200	KR.58200L-x	8	12	16	-	58	30	30	66	25	55	26	362	430	13.5	M20	1/4"Gas	M14	60	12	21x2.5	KR.58200L-x-S	12
	KR.76200L-x	8	12	16	-	76	40	40	80	30	60	34	392	470	17	M24	3/8"Gas	M18	70	12	28x3	KR.76200L-x-S	14

HOW TO ORDER !

Check page 48-49 for Min / Max β values

$\beta^\circ < 0$ & $\beta^\circ = 0$ $\beta^\circ > 0$

A Stroke X° β A Stroke X° β

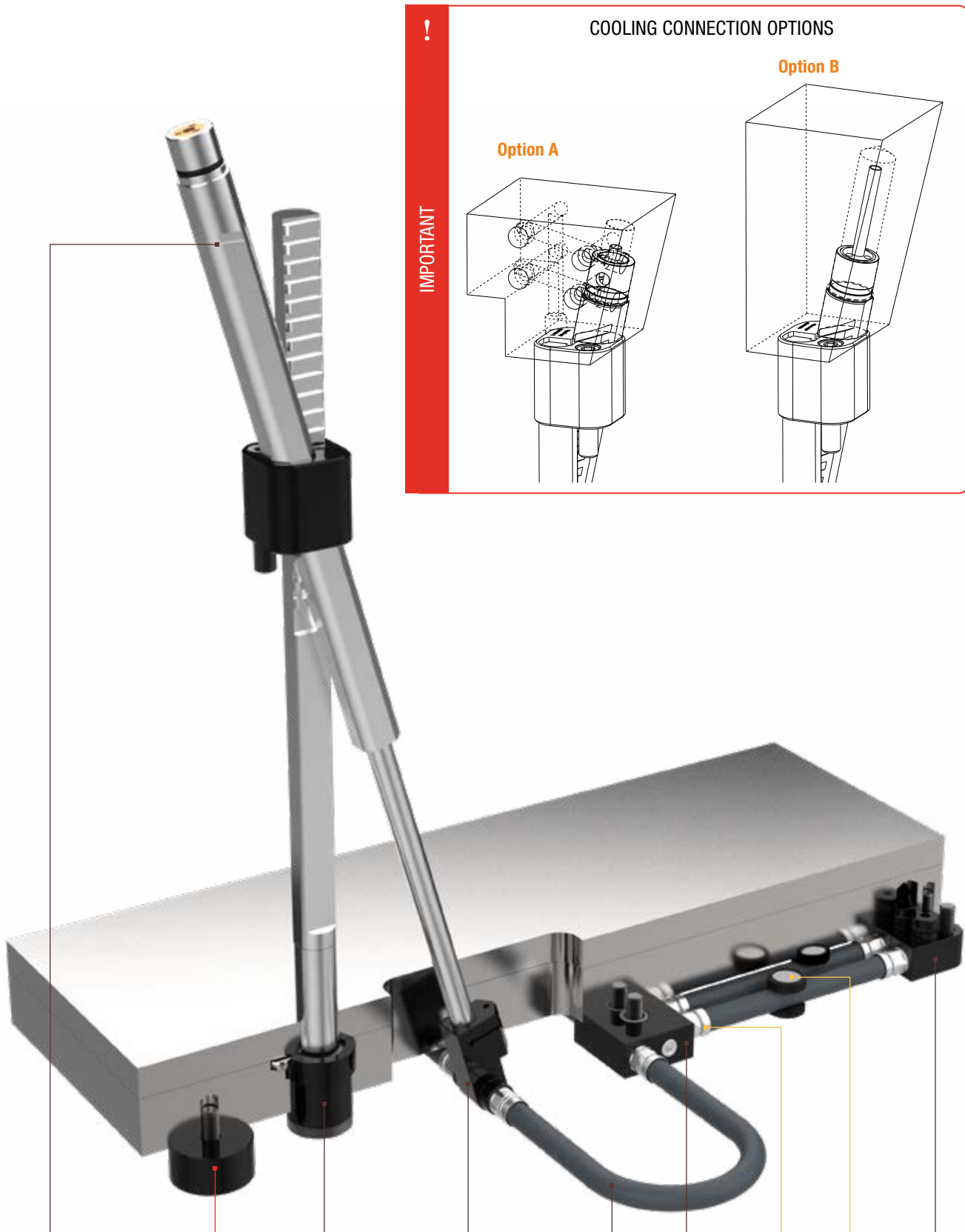
KR 28 125L - 12 -10 — Standard — KR 28 125L - 12 +10

KR 28 125L - 12 -S -10 — Symmetrical — KR 28 125L - 12 -S +10

A Stroke X° β A Stroke X° β

INSTALLATION GUIDELINES

ES Consejos de Instalación DE Richtlinien zur Installation
IT Consigli di Installazione PT Instruções de Instalação FR Mode d'Installation



!

COOLING CONNECTION OPTIONS

Option A

Option B

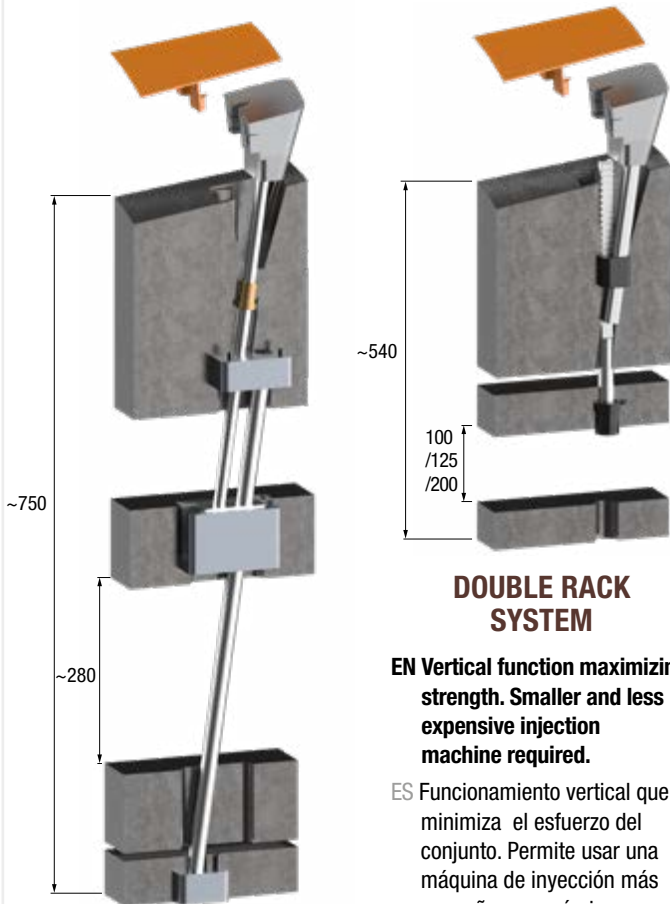
IMPORTANT

DOUBLE RACK SYSTEM

by CUMSA

COMPARE

Comparativa · Vergleich · Confronto · Comparativo · Comparatif



DOUBLE RACK SYSTEM

EN Vertical function maximizing strength. Smaller and less expensive injection machine required.

ES Funcionamiento vertical que minimiza el esfuerzo del conjunto. Permite usar una máquina de inyección más pequeña y económica.

DE Vertikale Funktion mit maximaler Kraft. Ein kleineres Werkzeug kann eventuell eine kleinere und günstigere Spritzgießmaschine benötigen.

IT Funzionamento verticale che minimizza lo sforzo. Permette di usare una macchina d'iniezione più piccola ed economica.

PT Funcionamento na vertical minimizando o esforço. Permite o uso de máquinas de injeção de menores dimensões e mais económicas.

FR Fonctionnement vertical réduisant les efforts. Permet de réduire la dimension de la presse d'injection et ainsi de réaliser des économies.

CONVENTIONAL SYSTEM

EN Eliminates the need for high-precision angled housings in the core plates.

ES Elimina los complicados taladros inclinados de alta precisión.

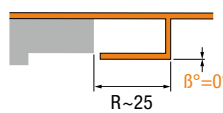
DE Es wird keine hochpräzise Schrägbohrung in der Formplatte benötigt.

IT Elimina le complicate lavorazioni inclinate ad alta precisione.

PT Elimina a necessidade de furos inclinados com precisão.

FR Termine les logements inclinés de haute précision.

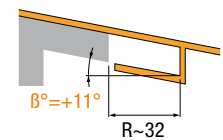
Neutral angles ($\beta^\circ=0^\circ$)



$S \geq R$

DR.xx100L-16
KR.xx200L-16
DR.xx125L-12
KR.xx125L-12
XR.xx100L-24

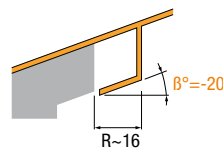
Positive Angles ($\beta^\circ>0^\circ$)



$S \geq R$

DR.xx100L-20
DR.xx125L-16
KR.xx125L-16
XR.xx100L-24

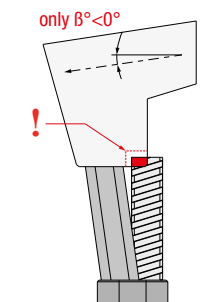
Negative Angles ($\beta^\circ<0^\circ$)



$S \geq R$

DR.xx100L-12
KR.xx200 L-12
DR.xx125L-8
KR.xx125L-8
XR.xx100L-24

IMPORTANT !



Stroke 100 (DR) Stroke 200 (KR) (Multiply S value x2)

β°	DR.xx100L-8		DR.xx100L-12	
	S (- β°)	S (+ β°)	S (- β°)	S (+ β°)
0	14.0	14.0	21.2	21.2
1	14.0	14.0	21.1	21.3
2	13.9	14.1	21.1	21.4
3	13.9	14.1	21.0	21.5
4	13.9	14.1	20.9	21.5
5	13.8	14.2	20.8	21.6
6	13.8	14.2	20.7	21.7
7	13.8	14.3	20.7	21.8
8	13.7	14.3	20.6	21.9
9	13.7	14.3	20.5	22.0
10	13.7	14.4	20.4	22.0
11	13.6	14.4	20.4	22.1
12	13.6	14.4	20.3	22.2
13	13.6	14.5	20.2	22.3
14	13.5	14.5	20.1	22.4
15	13.5	14.6	20.1	22.5
16	13.5	14.6	20.0	22.6
17	13.4	14.6	19.9	22.7
18	13.4	14.7	19.8	22.8
19	13.4	14.7	19.8	22.9
20	13.3	14.8	19.7	23.0
21	13.3	14.8	19.6	23.1
22	13.2	14.9	19.5	23.2
23	13.2	14.9	19.4	23.3
24	13.2	14.9	19.4	23.4
25	13.1	15.0	19.3	23.5
26	13.1	15.0	19.2	23.7
27	13.1	15.1	19.1	23.8
28	13.0	15.1	19.0	23.9
29	13.0	15.2	19.0	24.0
30	12.9	15.2	18.9	24.2
31	12.9	15.3	18.8	
32	12.9	15.4	18.7	
33	12.8	15.4	18.6	
34	12.8	15.5	18.5	
35	12.7	15.5	18.5	
36	12.7		18.4	
37	12.7		18.3	
38	12.6		18.2	
39	12.6		18.1	
40	12.5		18.0	
45	12.3		17.5	
50	12.0		16.9	
55	11.7		16.3	
60	11.3		15.5	

