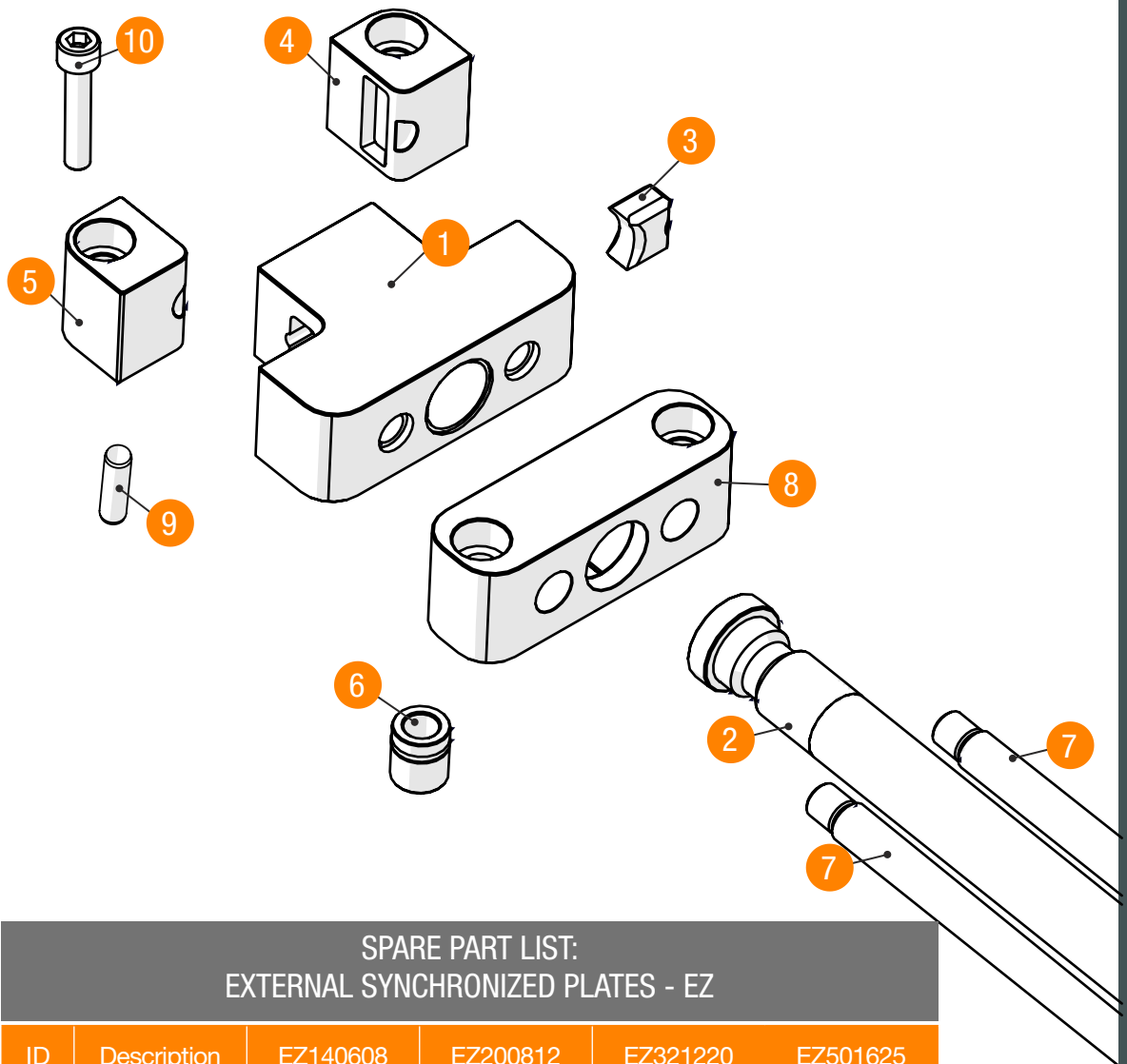


CUMSA

INNOVATIVE SOLUTIONS
FOR YOUR MOLDS



SPARE PART LIST: EXTERNAL SYNCHRONIZED PLATES - EZ

ID	Description	EZ140608	EZ200812	EZ321220	EZ501625
1	Central Unit	9EZ140600-PS	9EZ200800-PS	9EZ321200-PS	9EZ501600-PS
2	Central Shaft	9EX140600-E	9EX200800-E	9EX321200-E	9EX501600-E
3	Segments (x2)*	9EX140600-S	9EX200800-S	9EX321200-S	9EX501600-S
4	Right Guide	9EX140600-GR	9EX200800-GR	9EX321200-GR	9EX501600-GR
5	Left Guide	9EX140600-GL	9EX200800-GL	9EX321200-GL	9EX501600-GL
6	Bushing (x4)*	ZBS016	ZBS025	ZBS050	ZBS063
7	Lateral Shaft(x2)*	8EZ140608-J	8EZ200812-J	8EZ321220-J	8EZ501625-J
8	Shaft Guide	9EZ140600-GE	9EZ200800-GE	9EZ321200-GE	9EZ501600-GE
9	Pin (x2)*	1PCI6325414	1PCR7979620	1PCR79791030	1PCR79791240
10	Screw (x4)*	1DIN912630	1DIN912840	1DIN9121265	1DIN9121690

*Supplied individually