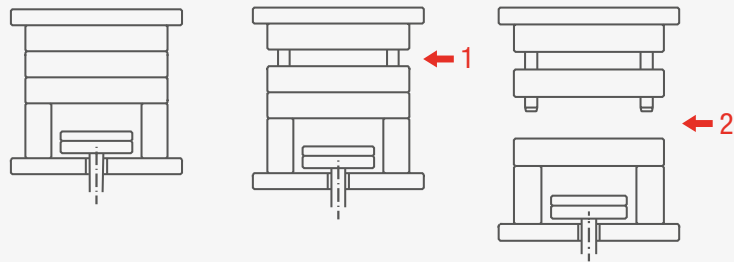


MULTIPLE SOLUTIONS FOR YOUR PLATE MOVEMENTS

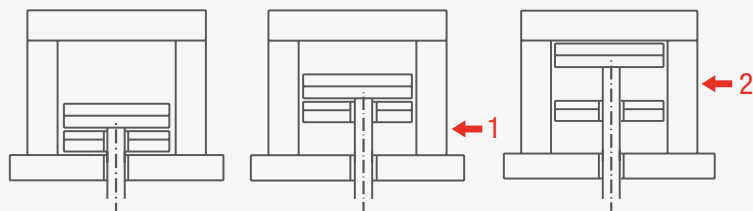
THREE PLATE MOLD:

Products designed to make a pre-opening movement in the mold cavity, before opening the mold to eject the part.



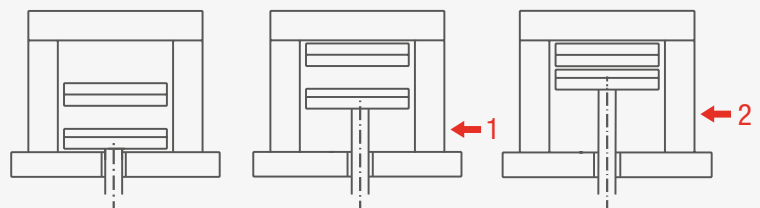
LEADING DOUBLE EJECTION:

Double ejection system to control 2 sets of ejector plates when the injection machine actuates the upper set of ejector plates.



TRAILING DOUBLE EJECTION:

Double ejection system to control 2 sets of ejector plates when the injection machine actuates the lower set of ejector plates.



SYNCHRONIZED PLATES:

Designed to allow synchronized mold plates openings, regardless of their location. With a customizable first stroke opening, and a free second movement.

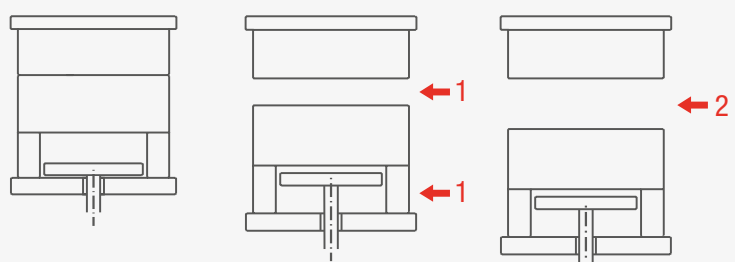


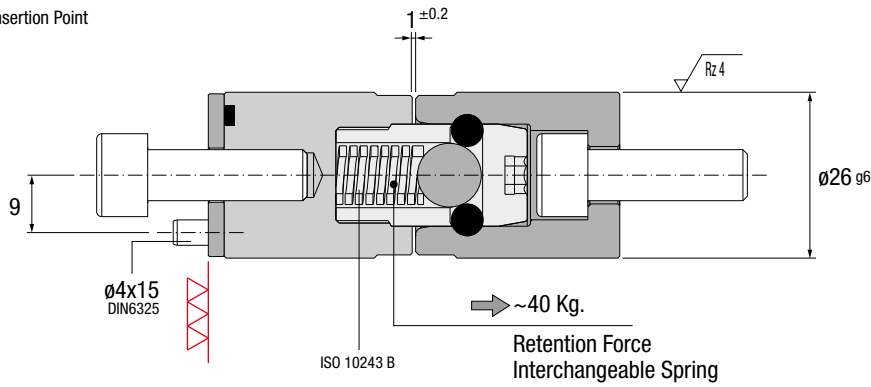
PLATE RETAINER

ES Retensor Placas DE Platten Verriegelung
IT Ritensores Piastra PT Retensor de Placa FR Tire Plaques



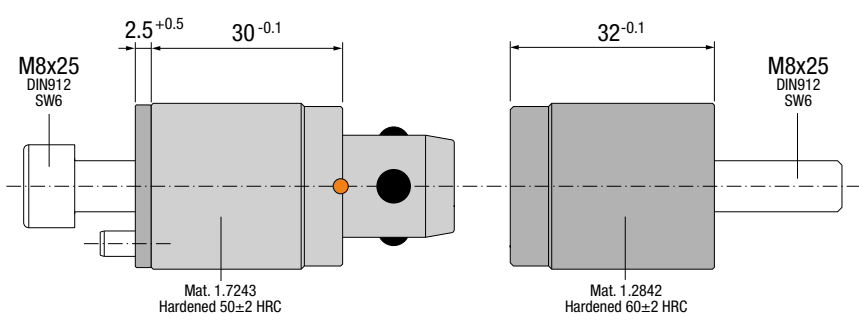
PR

● Cad Insertion Point



Ref.
PR.263230

Max.
150°C



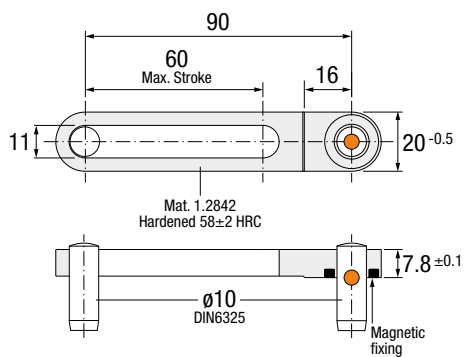
STROKE LIMITER

ES Limitador de Recorrido DE Hubbegrenzer
IT Limitatore Apertura PT Limitador de Curso FR Limiteur de Course



SL

● Cad Insertion Point



Ref.
SL.602008

IMPORTANT!
Possibility to reduce the max. opening (60mm.).
Posibilidad de reducir la apertura máxima (60mm.).
Der maximale Öffnungshub kann verringert werden (60mm).
Rende possibile ridurre l'apertura massima a 60mm.
Possibilidade de reduzir a abertura max. (60mm).
Possibilité de réduire la course (maxi 60mm).

Installation Guidelines

Consejos de Instalación · Richtlinien zur Installation · Consigli di Installazione · Instruções de Instalação · Mode d'Installation

Max.
150°C

