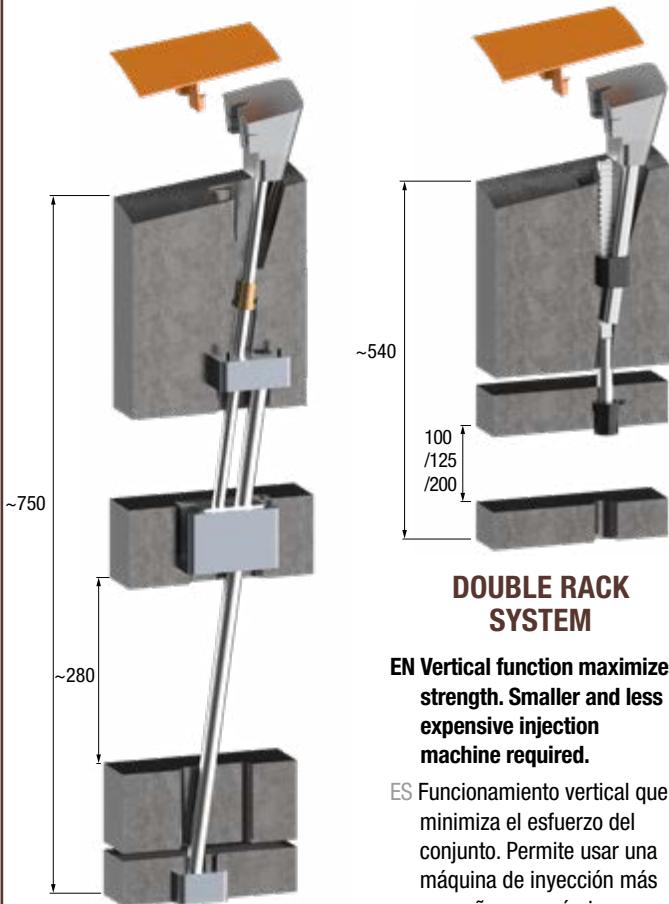


DOUBLE RACK SYSTEM by CUMSA

COMPARE

Comparativa · Vergleich · Confronto · Comparativo · Comparison



CONVENTIONAL SYSTEM

EN Eliminates the need for high-precision angled housings in the core plates.

ES Elimina los complicados taladros inclinados de alta precisión.

DE Es wird keine hochpräzise Schrägbohrung in der Formplatte benötigt.

IT Elimina le complicate lavorazioni inclinate ad alta precisione.

PT Elimina a necessidade de furos inclinados com precisão.

FR Terminé les logements inclinés d'haute précision.

DOUBLE RACK SYSTEM

EN Vertical function maximizes strength. Smaller and less expensive injection machine required.

ES Funcionamiento vertical que minimiza el esfuerzo del conjunto. Permite usar una máquina de inyección más pequeña y económica.

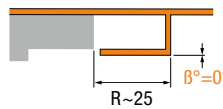
DE Vertikale Funktion mit maximaler Kraft. Ein kleineres Werkzeugkann eventuell eine kleinere und günstiger Spritzgießmaschine benötigen.

IT Funzionamento verticale che minimizza lo sforzo. Permette di usare una macchina d'iniezione più piccola ed economica.

PT Funcionamento na vertical minimizando o esforço. Permite o uso de maquinas de injeção de menores dimensões e mais económicas.

FR Fonctionnement vertical réduisant les efforts. Permet de réduire la dimension de la presse d'injection et ainsi de réaliser des économies.

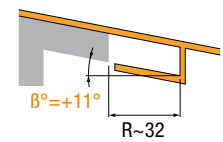
Neutral angles ($\beta^\circ=0^\circ$)



$S \geq R$

DR.xx100L-16
KR.xx200L-16
DR.xx125L-12
KR.xx125L-12
XR.xx100L-24

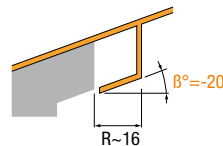
Positive Angles ($\beta^\circ>0^\circ$)



$S \geq R$

DR.xx100L-20
DR.xx125L-16
KR.xx125L-16
XR.xx100L-24

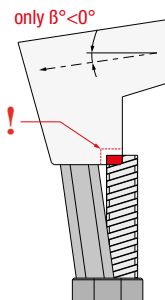
Negative Angles ($\beta^\circ<0^\circ$)



$S \geq R$

DR.xx100L-12
KR.xx200 L-12
DR.xx125L-8
KR.xx125L-8
XR.xx100L-24

IMPORTANT !



Stroke 100 (DR) Stroke 200 (KR) (Multiply S value x2)

β°	DR.xx100L-8		DR.xx100L-12	
	S (- β°)	S (+ β°)	S (- β°)	S (+ β°)
0	14.0	14.0	21.2	21.2
1	14.0	14.0	21.1	21.3
2	13.9	14.1	21.1	21.4
3	13.9	14.1	21.0	21.5
4	13.9	14.1	20.9	21.5
5	13.8	14.2	20.8	21.6
6	13.8	14.2	20.7	21.7
7	13.8	14.3	20.7	21.8
8	13.7	14.3	20.6	21.9
9	13.7	14.3	20.5	22.0
10	13.7	14.4	20.4	22.0
11	13.6	14.4	20.4	22.1
12	13.6	14.4	20.3	22.2
13	13.6	14.5	20.2	22.3
14	13.5	14.5	20.1	22.4
15	13.5	14.6	20.1	22.5
16	13.5	14.6	20.0	22.6
17	13.4	14.6	19.9	22.7
18	13.4	14.7	19.8	22.8
19	13.4	14.7	19.8	22.9
20	13.3	14.8	19.7	23.0
21	13.3	14.8	19.6	23.1
22	13.2	14.9	19.5	23.2
23	13.2	14.9	19.4	23.3
24	13.2	14.9	19.4	23.4
25	13.1	15.0	19.3	23.5
26	13.1	15.0	19.2	23.7
27	13.1	15.1	19.1	23.8
28	13.0	15.1	19.0	23.9
29	13.0	15.2	19.0	24.0
30	12.9	15.2	18.9	24.2
31	12.9	15.3	18.8	
32	12.9	15.4	18.7	
33	12.8	15.4	18.6	
34	12.8	15.5	18.5	
35	12.7	15.5	18.5	
36	12.7		18.4	
37	12.7		18.3	
38	12.6		18.2	
39	12.6		18.1	
40	12.5		18.0	
45	12.3		17.5	
50	12.0		16.9	
55	11.7		16.3	
60	11.3		15.5	

SELECTION TABLE: WHICH DR / KR DO I NEED?

ES TABLA DE SELECCIÓN: Qué DR / KR / XR necesito?

DE AUSWAHLTABELLE: Welcher DR / KR / XR ist am besten geeignet?

IT TABELLA PER SCELTA: Di quale DR / KR / XR ho bisogno?

PT TABELA DE SELEÇÃO: Qual é o DR / KR / XR que preciso?

FR TABLEAU DE CORRESPONDANCE: Quel est le DR / KR que j'ai besoin?



Stroke 100 (DR) Stroke 200 (KR) (Multiply S value x2)

	DR.xx100L-16		DR.xx100L-20	
	S (-β°)	S (+β°)	S (-β°)	S (+β°)
	28.6		36.4	
28.5	28.8	36.1	36.6	
28.3	28.9	35.9	36.8	
28.2	29.1	35.7	37.1	
28.1	29.2	35.4	37.3	
27.9	29.4	35.2	37.5	
27.8	29.5	35.0	37.8	
27.7	29.7	34.8	38.1	
27.5	29.8	34.6	38.3	
27.4	30.0	34.4	38.6	
27.2	30.2	34.2	38.8	
27.1	30.3	33.9	39.1	
27.0	30.5	33.7	39.4	
26.8	30.7	33.5	39.7	
26.7	30.8	33.3	40.0	
26.6	31.0	33.1	40.3	
26.5	31.2	32.9	40.6	
26.3	31.4	32.7	40.9	
26.2	31.6	32.5	41.2	
26.1	31.8	32.3	41.6	
25.9	32.0	32.1	41.9	
25.8	32.2	31.9		
25.6	32.4	31.7		
25.5	32.6	31.5		
25.4	32.8	31.3		
25.2	33.1	31.1		
25.1		30.9		
25.0		30.7		
24.8		30.4		
24.7		30.2		
24.6		30.0		
24.4		29.8		
24.3		29.6		
24.1		29.4		
24.0		29.2		
23.8		29.0		
23.7		28.7		
23.5		28.5		
23.4		28.3		
23.2		28.1		
23.1		27.8		
22.2		26.6		
21.3		25.1		
20.3		23.9		
19.1		22.3		

Stroke 125 (DR / KR)

β°	DR.xx125L-8		DR.xx125L-12		DR.xx125L-16		DR.xx125L-20	
	KR.xx125L-8		KR.xx125L-12		KR.xx125L-16		KR.xx125L-20	
	S (-β°)	S (+β°)	S (-β°)	S (+β°)	S (-β°)	S (+β°)	S (-β°)	S (+β°)
0	17.5		26.5		35.8		45.4	
1	17.5	17.6	26.4	26.6	35.6	36.0	45.2	45.7
2	17.4	17.6	26.3	26.7	35.4	36.2	44.9	46.0
3	17.4	17.6	26.2	26.8	35.3	36.3	44.6	46.3
4	17.3	17.7	26.1	26.9	35.1	36.5	44.3	46.6
5	17.3	17.7	26.0	27.0	34.9	36.7	44.0	46.9
6	17.3	17.8	25.9	27.1	34.7	36.9	43.8	47.3
7	17.2	17.8	25.8	27.2	34.6	37.1	43.5	47.6
8	17.2	17.9	25.7	27.3	34.4	37.3	43.2	47.9
9	17.1	17.9	25.7	27.4	34.2	37.5	43.0	48.2
10	17.1	18.0	25.6	27.6	34.1	37.7	42.7	48.6
11	17.1	18.0	25.5	27.7	33.9	37.9	42.4	48.9
12	17.0	18.1	25.4	27.8	33.7	38.1	42.2	49.3
13	17.0	18.1	25.3	27.9	33.6	38.3	41.9	49.6
14	16.9	18.2	25.2	28.0	33.4	38.6	41.7	50.0
15	16.9	18.2	25.1	28.1	33.2	38.8	41.4	50.4
16	16.8	18.3	25.0	28.2	33.1	39.0	41.1	50.7
17	16.8	18.3	24.9	28.4	32.9	39.2	40.9	51.1
18	16.8	18.4	24.8	28.5	32.7	39.5	40.6	51.5
19	16.7	18.4	24.7	28.6	32.6	39.7	40.4	52.0
20	16.7	18.5	24.6	28.7	32.4	40.0	40.1	52.4
21	16.6	18.5	24.5	28.9	32.2	40.2	39.9	
22	16.6	18.6	24.4	29.0	32.1	40.5	39.6	
23	16.5	18.6	24.3	29.2	31.9	40.8	39.4	
24	16.5	18.7	24.2	29.3	31.7	41.0	39.1	
25	16.4	18.7	24.1	29.4	31.6	41.3	38.8	
26	16.4	18.8	24.0	29.6	31.4		38.6	
27	16.3	18.9	23.9	29.7	31.2		38.3	
28	16.3	18.9	23.8	29.9	31.1		38.1	
29	16.2	19.0	23.7	30.1	30.9		37.8	
30	16.2	19.1	23.6	30.2	30.7		37.5	
31	16.1	19.1	23.5		30.5		37.3	
32	16.1	19.2	23.4		30.3		37.0	
33	16.0	19.3	23.3		30.2		36.7	
34	16.0	19.4	23.2		30.0		36.5	
35	15.9	19.4	23.1		29.8		36.2	
36	15.9		23.0		29.6		35.9	
37	15.8		22.9		29.4		35.7	
38	15.8		22.7		29.2		35.4	
39	15.7		22.6		29.0		35.1	
40	15.7		22.5		28.8		34.8	
45	15.4		21.9		27.8		33.3	
50	15.0		21.1		26.7		31.7	
55	14.6		20.3		25.4		29.9	
60	14.1		19.4		23.9		27.9	

Stroke 100 (XR)


β°	XRxx100L-24		XRxx100L-28		XRxx100L-32		XRxx100L-36	
	S (-β°)	S (+β°)	S (-β°)	S (+β°)	S (-β°)	S (+β°)	S (-β°)	S (+β°)
0	44.5		53.2		62.5		72.7	
1	44.2	44.9	52.7	53.7	61.8	63.2	71.7	73.6
2	43.8	45.2	52.2	54.2	61.2	63.9	70.9	74.5
3	43.5	45.6	51.7	54.7	60.5	64.6	70.0	75.5
4	43.2	46.0	51.3	55.2	59.9	65.3	69.1	76.5
5	42.9	46.3	50.8	55.8	59.2	66.1	68.3	77.6
6	42.5	46.7	50.4	56.3	58.6	66.9	67.5	78.7
7	42.2	47.1	49.9	56.9	58.0	67.7	66.7	79.8
8	41.9	47.5	49.5	57.5	57.4	68.5	65.9	
9	41.6	47.9	49.0	58.1	56.9	69.4	65.2	
10	41.3	48.3	48.6	58.7	56.3	70.2	64.4	
11	41.0	48.7	48.2	59.3	55.7	71.1	63.7	
12	40.7	49.2	47.8	59.9	55.2		62.9	
13	40.4	49.6	47.4	60.6	54.6		62.2	
14	40.1	50.1	46.9	61.3	54.1		61.5	
15	39.8	50.6	46.5	62.0	53.5		60.8	
16	39.5	51.0	46.1		53.0		60.1	
17	39.2	51.5	45.7		52.5		59.4	
18	38.9	52.1	45.3		51.9		58.8	
19	38.6	52.6	44.9		51.4		58.1	
20	38.3		44.5		50.9		57.5	
21	38.0		44.2		50.4		56.8	
22	37.7		43.8		49.9		56.2	
23	37.4		43.4		49.4		55.5	
24	37.2		43.0		48.9		54.9	
25	36.9		42.6		48.4		54.3	
26	36.6		42.2		47.9		53.6	
27	36.3		41.8		47.4		53.0	
28	36.0		41.5		46.9		52.4	
29	35.7		41.1		46.4		51.8	
30	35.4		40.7		45.9		51.2	
31	35.1		40.3		45.4		50.6	
32	34.8		39.9		44.9		50.0	
33	34.5		39.5		44.4		49.4	
34	34.2		39.1		44.0		48.8	
35	33.9		38.7		43.5		48.2	
36	33.6		38.4		43.0		47.6	
37	33.3		38.0		42.5		46.9	
38	33.0		37.6		42.0		46.3	
39	32.7		37.2		41.5		45.7	
40	32.4		36.8		41.0		45.1	
45	30.8		34.7		38.4		42.0	
50								
55								
60								

Special β° angles possible under request
ES Posibilidad de ángulos β° especiales DE Sonderwinkel auf Anfrage möglich (β°) IT E' possibile avere angolazioni β° speciali su richiesta PT Possibilidade de ângulos β° especiais FR Possibilité de réaliser des angles β° spéciaux.

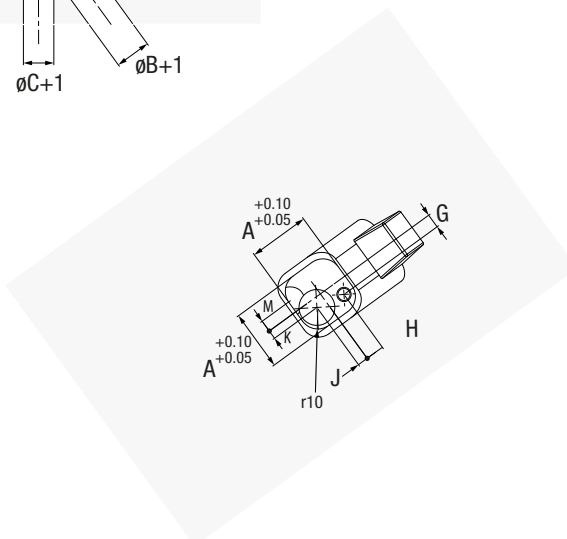
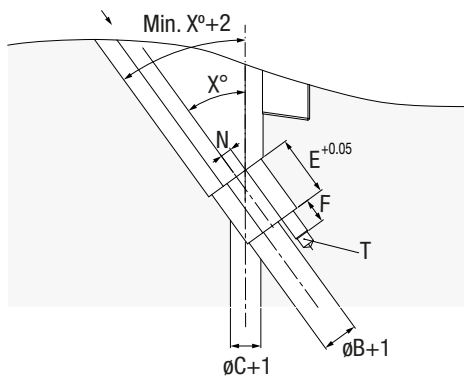
INSTALLATION GUIDELINES

ES Consejos de Instalación DE Richtlinien zur Installation
 IT Consigli di Installazione PT Instruções de Instalação FR Mode d'Installation

XR

Patented
 Max. 150°C

Core Housing
 Alojamiento Placa Punzón
 Kerngehäuse
 Sede nel Punzone
 Alojamento Bucha
 Logement dans l'empreinte



Stroke 100	F	FR1	FR2	G	H	J	K	M	N	S	T	W	Y	Z	SWb
XR34100L..	16	5.3	M10x1	8	10.5	6	5	7	6	4	M8	8	16	M4	5
XR40100L..	20	8.5	M12x1	11	11	7	7	8	7	4	M10	10	20	M6	6
XR46100L..	25	8.5	M12x1	13	13	9	9	8	8	5	M12	10	24	M6	8

Installation

Instalación · Montage · Montaggio · Instalação · Montage

