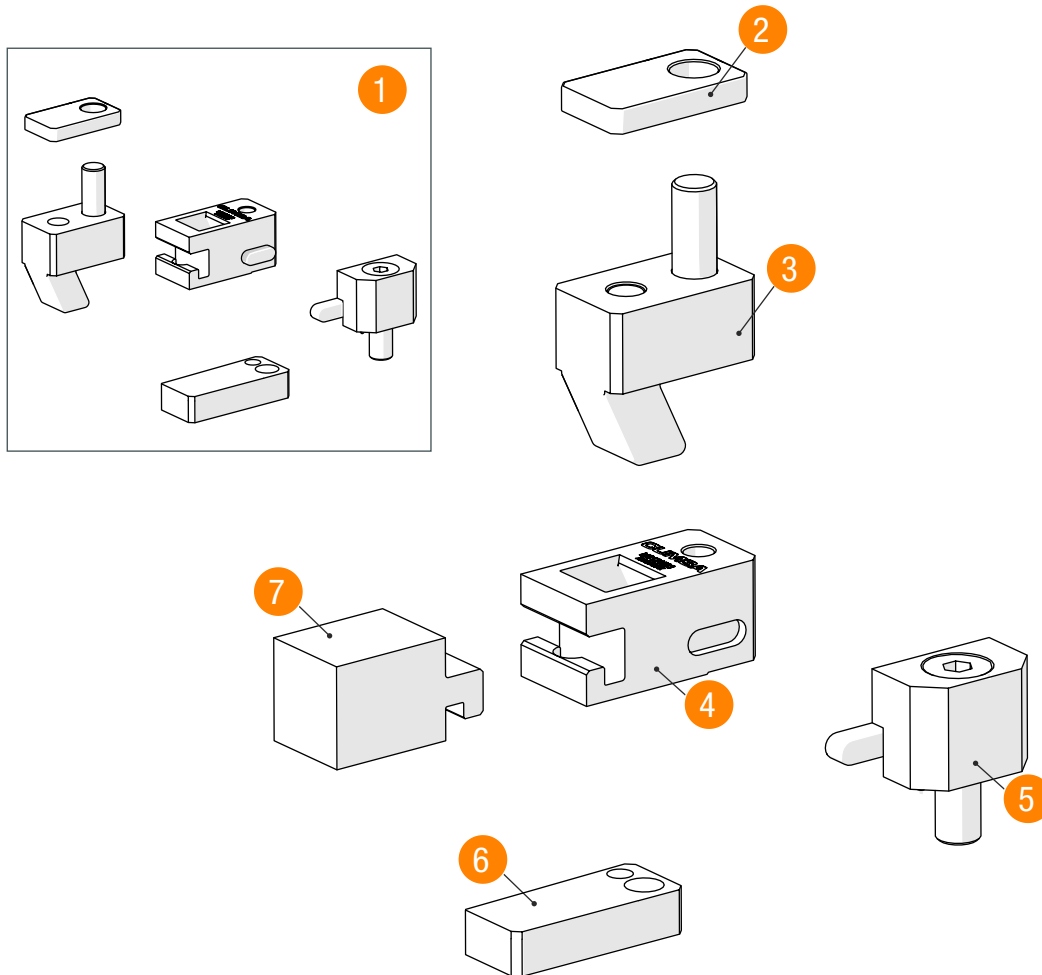


CUMSA

INNOVATIVE SOLUTIONS
FOR YOUR MOLDS



SPARE PART LIST: MINI SLIDE - MS

ID	Description	MS.121503	MS.182006	MS.242608
1	Slide Unit w/o Insert	9MS121503-SET01	9MS182006-SET01	9MS242608-SET01
2	Wear Plate	9MS121503-E	9MS182006-E	9MS242608-E
3	Heel Unit	9MS121503-CC	9MS182006-CC	9MS242608-CC
4	Slide Unit	9MS121503-AC	9MS182006-AC	9M242608-AC
5	Support	9MS121503-FC	9MS182006-FC	
6	Base	9MS121503-DC	9MS182006-DC	9MS242608-DC
7	Insert	9MS121503-B	9MS182006-B	9MS242608-B